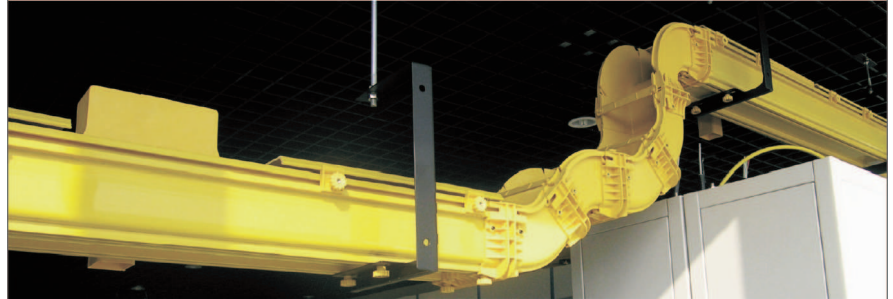


Cable Guider

Cable ducting for Central Office&Datacenter

Field of Application

Cable Guider, euroclust's solution for cable ducting is designed for central office systems and datacenter environments. Its purpose is the cable routing between the racks, splicing cabinets, termination equipment and active component frames.



Features

- High class materials
- Completely modular design
- Quick and easy installation
- No special tools required
- Ensures minimum bending radius for fiber optic cables

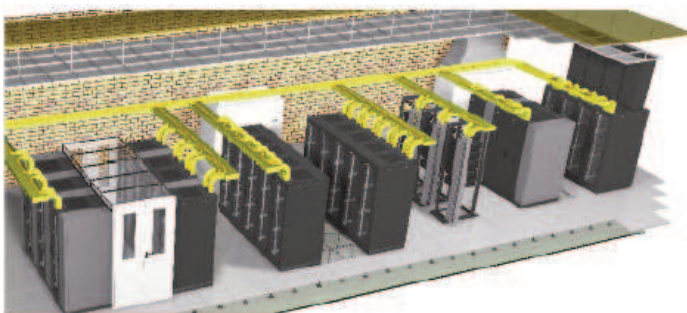
Product description

There are several reasons for using cable duct systems within datacenters. Fiber optic cables are very fragile and need special treatment and protection. The euroclust Cable Path system protects the cable against mechanical influences, which may destroy it and can cause downtime, repair and penalty cost as well as a loss revenue. This ducting solution ensures that the cable's minimum bending radius is always maintained. It is possible to install Cable Guider above racks & equipment as well as below the floor. With the Cable Guider system you get a cost efficient, high quality product which consists of various modules and parts in order to meet you specific requirements. This product is fully compatible with ducting systems of other brands which allows to save costs and finalize an existing installation with Cable Guider.

Technical specification

Material	- Straight Sections: PVC - Other Plastic Parts: ABS
Color	- Yellow (RAL 1003) - Orange (RAL 2004)
Flammability	UL94 V0
Fire protection	UL2024
Sizes: 2"	50 x 50mm
4"	100x100mm
6"	100x150mm
10"	100x250mm
12"	100x300mm

Installation :

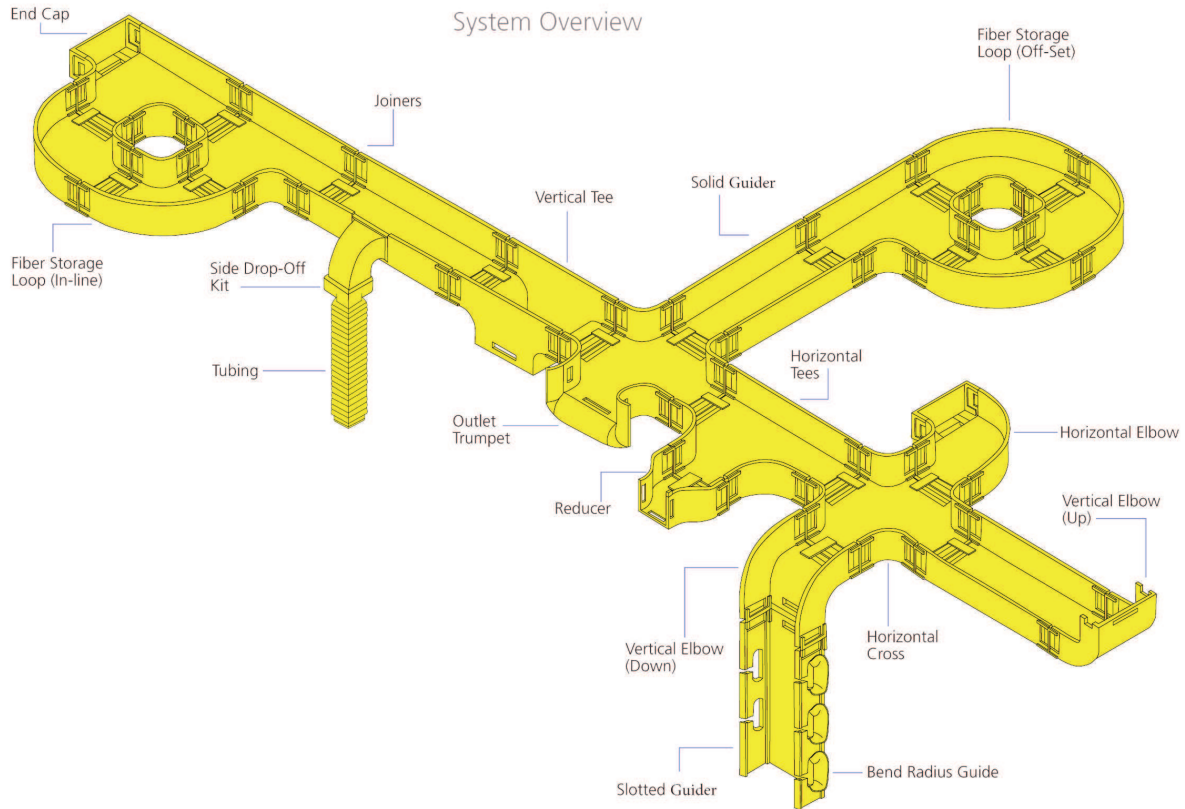


Modular and Flexible

The Guider System consists of various parts and joining elements. Each part has its unique type code as well as article number and can be ordered separately. This ensures maximum of flexibility and the possibility to adapt the cable route to any architectural circumstances. These properties make Cable Guider to the ideal cable duct system, beginning from small distribution on offices up to big datacenters.

Capacity table :

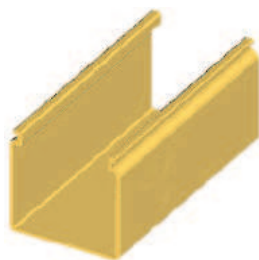
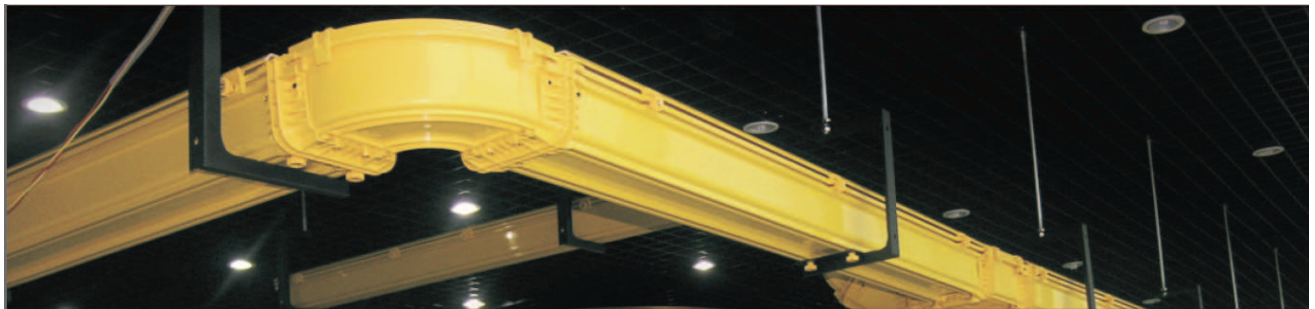
Specifications	2"x 2" system		4"x 4" system		4"x 6" system		4"x 10" system		4"x 12" system	
	2,0mm	3,0mm	2,0mm	3,0mm	2,0mm	3,0mm	2,0mm	3,0mm	2,0mm	3,0mm
Accumulated height										
5cm	408	176	816	352	1224	528	2040	880	2448	1056
7,5cm	-	-	1224	528	1836	792	3060	1320	3672	1584
11cm	-	-	1632	704	2448	1056	4080	1760	4896	2112



Brief introduction : - Optical cable tray is a system designed to protect and route fiber optic patch cords, cable assemblies to and from network cabinets, ODF and other terminal devices.

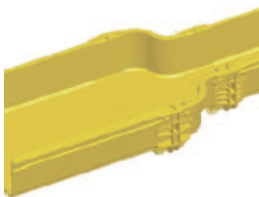
- Optical cable tray offers ideal solutions for optical raceway requirements and application with pleasing appearance and easy maintenance.
- Flame retardant materials rated V0.
- Tool-less product boast easy and quick installation including snap-on cover, hinged cover option as well as quick exits.

Cable guider overview



Cable Guider sizes

2" (2" x 2" 50mm x 50mm).....	04
4" (4" x 4" 100mm x 100mm).....	06
6" (4" x 6" 100mm x 150mm).....	09
10" (4" x 10" 100mm x 250mm).....	12
12" (4" x 12" 100mm x 300mm).....	14



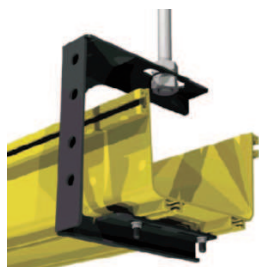
Hybrid Conector/Adapters

6" to 4" and 10" to 6".....	17
12" to 6".....	18
Connector.....	19



Exit Drop Options

2" Quick Exit with Flex Tube/Trumpet Flare Drop.....	20
2" Fixed Exit with Flex Tube/Trumpet Flare Drop.....	21
2" Quick Exit with Flex Tube 2/Trumpet Flare Drop 2.....	22
4" Quick Exit with Flex Tube/Trumpet Flare Drop.....	23
4" Quick Exit with Flex Tube 2/Trumpet Flare Drop 2.....	24
4" Fixed Exit with Flex Tube/Trumpet Flare Drop.....	25
Downspout with Flex Tube/Trumpet Flare for 6".....	26
Downspout with Flex Tube/Trumpet Flare for 10" and 12".....	27



Installation/Supporting Systems

Trapeze Support	28
Top of Rack/Cabinet Support.....	28
Auxiliary Framing Support.....	29
Wall Support.....	29
Anchor Support.....	30

Packing information.....	30
--------------------------	----

Note: All components are available in yellow or orange color.

2" (2"x 2" 50mm x 50mm)

Type / ec number	Shape	Accessories	Top view	Side view	Model
Straight Section (Cable guider) EC12.111011.000	<p>Remarks : 2 meter / piece *</p>				
Straight Section Cover (Cable guider cover) EC12.111111.000	<p>Remarks : 2 meter / piece *</p>				
End Cap (Guider closing plate) EC12.711111.000	<p>Remarks : Metal used for straight section</p>				
Joiner (Guider connector) EC12.611111.000					
90° Horizontal Elbow EC12.211011.001					
90° Horizontal Elbow Cover EC12.211111.001					
Horizontal T (Three-way tray) EC12.411011.000					
Horizontal T Cover (Three-way tray cover) EC12.411111.000					

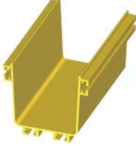
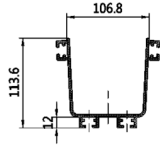

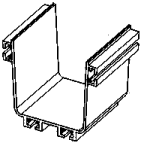
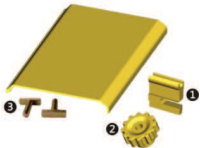

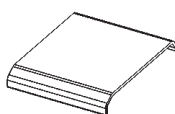

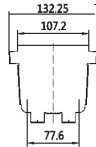
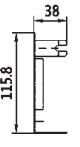
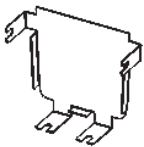
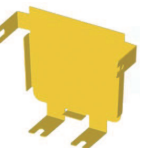
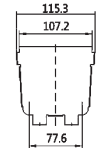
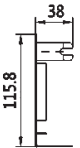
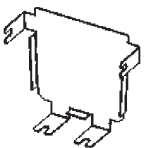


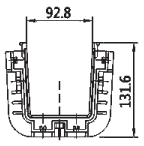
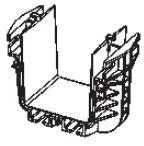
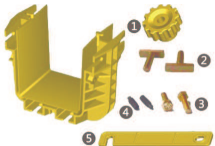

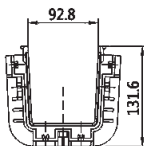
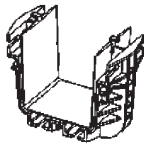
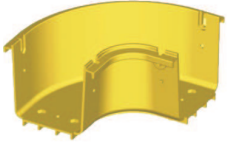
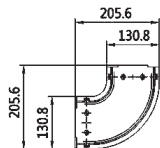
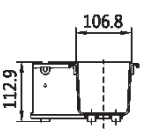
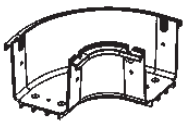

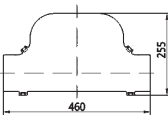


* other length is available on request

Cable Guider sizes

2" (2"x 2" 50mm x 50mm)					
Type / ec number	Shape	Accessories	Top view	Side view	Model
90° Vertical Up Elbow EC12.U11011.001					
90° Vertical Up Elbow Cover EC12.U11011.001					
90° Vertical Down Elbow EC12.311011.001					
90° Vertical Up Elbow Cover EC12.311011.001					

* other length is available on request

4" (4"x 4" 100mm x 100mm)

Type / ec number	Shape	Accessories	Top view	Side view	Model
Straight Section (Cable guider) EC12.122011.000					
	Remarks : 2 meter / piece *				
Straight Section Cover (Cable guider cover) EC12.122111.000		1 Hinge 5 2 Fixing knob 5 3 Bolt 5			
	Remarks : 2 meter / piece *				
End Cap (Guider cover(1)) EC12.722111.000					
	Remarks : Metal, used for straight section				
Connector End Cap (Guider cover(2)) EC12.E22111.000					
	Remarks : Metal, used for connector				
Connector Kit A (Guider connector) EC12.622111.100		1 Fixing knob 8 2 Bolt 8			
	Remarks : Used for straight section				
Connector Kit B EC12.622111.200		1 Fixing knob 8 2 Bolt 4 3 M6*25 Hexagonal bolt 4 4 M6*14 Inner hexagon screw 3 5 Pull rod 1			
90° Horizontal Elbow (90° Bend tray) EC12.222011.001					
90° Horizontal Elbow Cover (90° Bend tray cover) EC12.222111.001					

* other length is available on request

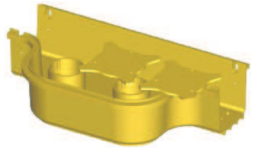
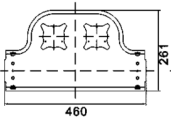
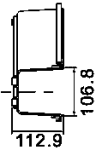
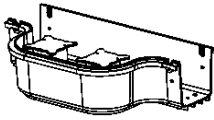


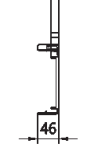

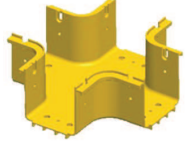
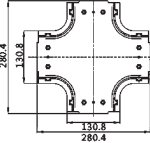
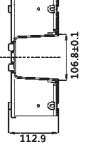
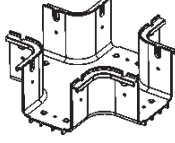

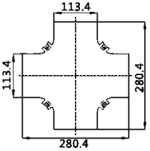
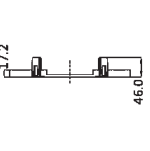

Cable Guider sizes

4" (4"x 4" 100mm x 100mm)

Type / ec number	Shape	Accessories	Top view	Side view	Model
Horizontal T (Three-way guider) EC12.422011.000					
Horizontal T Cover (Three way tray guider cover) EC12.422111.000					
45° Up Elbow (45° downward fiber pass tray) EC12.U22011.002					
45° Up Elbow Cover Kit (45° downward cover) EC12.U22112.002	 Remarks: Metal material	1 Fixing unit 2 2 Cross Recessed Pan Head Screw 2			
45° Down Elbow (45° upward fiber pass tray) EC12.322011.002					
45° Down Elbow Cover Kit (45° upward cover) EC12.322112.002	 Remarks: Metal material	1 Fixing unit 4 2 Cross Recessed Pan Head Screw 4			
90° Down Elbow (Upward/downward fiber pass tray) EC12.322011.001					
90° Down Elbow Cover Kit (90° upward/downward cover) EC12.322112.001	 Remarks: Metal material	1 Fixing unit 4 2 Cross Recessed Pan Head Screw 4			

* other length is available on request

4" (4"x 4" 100mm x 100mm)

Type / ec number	Shape	Accessories	Top view	Side view	Model
Storage Tray EC12.S22011.000					
Storage Tray Cover EC12.S22111.000					
Horizontal Cross EC12.522011.000					
Horizontal Cross Cover EC12.522111.000					

* other length is available on request

Cable Guider sizes

6" (4"x 6" 100mm x 150mm)

Type / ec number	Shape	Accessories	Top view	Side view	Model
Straight Section (Cable guider) EC12.133011.000	<p>Remarks : 2 meter / piece *</p>				
Straight Section Cover Kit (Cable guider cover) EC12.133112.000		1 Hinge 5 2 Fixing knob 5 3 Bolt 5			
End Cap (Guider cover(1)) EC12.733111.000	<p>Remarks : Metal, used for straight section</p>				
Connector End Cap (Guider cover(2)) EC12.E33111.000	<p>Remarks : Metal, used for connector</p>				
Connector Kit A EC12.633111.100	<p>Remarks : Used for straight section</p>	1 Fixing knob 8 2 Bolt 8			
Connector Kit B EC12.633111.200		1 Fixing knob 8 2 Bolt 4 3 M6*25 Hexagonal bolt 4 4 M6*14 Inner hexagon screw 4 5 6* Pull Rod 1			
90° Horizontal Elbow (90° Bend tray) EC12.233011.001					
90° Horizontal Elbow Cover (90° Bend tray cover) EC12.233111.001					

* other length is available on request

6" (4"x 6" 100mm x 150mm)

Type / ec number	Shape	Accessories	Top view	Top view	Model
Horizontal T (Three-way Tray) EC12.433011.000					
Horizontal T Cover (Three-way tray cover) EC12.433111.000					
Horizontal Cross (Four-way tray) EC12.533011.000					
Horizontal Cross Cover (Four-way tray cover) EC12.533111.000					
45° Down Elbow (45° upward fiber pass tray) EC12.333011.002					
45° Down Elbow Cover Kit (45° upward cover) EC12.333112.002		1 Fixing unit 2 M4*10 Cross recessed pan head screw			
	Remarks : Used for straight section				
45° Up Elbow (45° downward fiber pass tray) EC12.U33011.002					
45° Up Elbow Cover Kit (45° downward cover) EC12.U33112.002		1 Fixing unit 2 M4*10 Cross recessed pan head screw			
	Remarks : Used for straight section				

* other length is available on request

Cable Guider sizes

6" (4"x 6" 100mm x 150mm)

Type / ec number	Shape	Accessories	Top view	Side view	Model
Storage Tray EC12.S33011.000					
Storage Tray Cover (Three way tray guider cover) EC12.S33111.000					
90° Down Elbow (Upward/downward fiber pass tray) EC12.333011.021					
90° Down Elbow Cover Kit (90° upward/downward cover) EC12.322112.021		1 Fixing unit 2 2 Cross Recessed Pan Head Screw 2			

Remarks: Metal material

* other length is available on request

10" (4"x 10" 100mm x 250mm)

Type / ec number	Shape	Accessories	Top view	Side view	Model
Straight Section (Cable guider) EC12.144011.000	<p>Remarks : 2 meter / piece *</p>				
Straight Section Cover Kit (Cable guider cover) EC12.144111.000	<p>Remarks : 40cm/pc, Snap-on Cover</p>				
End Cap (Guider cover(1)) EC12.744111.000	<p>Remarks : Metal, used for straight section</p>				
Connector End Cap (Guider cover(2)) EC12.E44111.000	<p>Remarks : Metal, used for connector</p>				
Connector Kit A EC12.644111.100	<p>Remarks : Used for straight section</p>	1 Fixing knob 8 2 Bolt 8			
Connector Kit B EC12.644111.200	<p>Remarks : Used for other section except straight section</p>	1 Fixing knob 10 2 Bolt 5 3 M6*25 Hexagonal bolt 5 4 M6*14 Inner Hexagon Screw 6 5 10*Pull Rod 1			
90° Horizontal Elbow (90° Bend tray) EC12.244011.001					
90° Horizontal Elbow Cover (90° Bend tray cover) EC12.244111.001					

* other length is available on request

Cable Guider sizes

10" (4"x 10" 100mm x 250mm)

Type / ec number	Shape	Accessories	Top view	Side view	Model
Horizontal T (Three way tray) EC12.444011.000					
Horizontal T Cover (Three way tray guider cover) EC12.444111.000					
Horizontal Cross (Four-way tray) EC12.544011.000					
Horizontal Cross Cover (Four-way tray guider cover) EC12.544111.000					

Remarks: Metal material

* other length is available on request

12" (4"x 12" 100mm x 300mm)

Type / ec number	Shape	Accessories	Top view	Side view	Model
Straight Section (Cable guider) EC12.155011.000	<p>Remarks : 2 meter / piece *</p>				
Straight Section Cover (Cable guider cover) EC12.155111.000	<p>Remarks : 40cm/pc, Snap-on Cover</p>				
End Cap (Guider cover(1)) EC12.755111.000	<p>Remarks : Metal, used for straight section</p>				
Connector End Cap (Guider cover(2)) EC12.E55111.000	<p>Remarks : Metal, used for connector</p>				
Connector Kit A EC12.655111.100	<p>Remarks : Used for straight section</p>	1 Fixing knob 8 2 Bolt 8			
Connector Kit B EC12.655111.200	<p>Remarks : Used for other section except straight section</p>	1 Fixing knob 10 2 Bolt 5 3 M6*25 Hexagonal bolt 5 4 M6*14 Inner hexagon screw 4 5 10*Pull Rod 1			
90° Horizontal Elbow (90° Bend tray) EC12.255011.001					
90° Horizontal Elbow Cover (90° Bend tray cover) EC12.255111.001					

* other length is available on request

Cable Guider sizes

12" (4"x 12" 100mm x 300mm)

Type / ec number	Shape	Accessories	Top view	Side view	Model
Horizontal Elbow (45° bend tray) EC12.255011.002					
Horizontal Elbow Cover (45° bend tray cover) EC12.255111.002					
90° Down Elbow (Upward/Downward fiber pass tray) EC12.355011.001					
90° Down Elbow Cover Kit (90° upward/downward cover) EC12.355112.001	 Remarks : Metal material	1 Fixing unit 2 M4*10 Cross recessed pan head screw	4 4 		
45° Down Elbow (45° upward fiber pass tray) EC12.355011.002					
45° Down Elbow Cover Kit (45° upward cover) EC12.355112.002	 Remarks : Metal material	1 Fixing unit 2 M4*10 Cross recessed pan head screw	4 4 		
45° Up Elbow (45° downward fiber pass tray) EC12.U55011.002					
45° Up Elbow Cover Kit (45° downward cover) EC12.U55112.002	 Remarks : Used for straight section	1 Fixing unit 2 M4*10 Cross recessed pan head screw	2 2 		

* other length is available on request

Cable Guider sizes

12" (4"x 12" 100mm x 300mm)

Type / ec number	Shape	Accessories	Top view	Side view	Model
Horizontal T (Three way tray) EC12.455011.000					
Horizontal T Cover (Three way tray guider cover) EC12.455111.000					
Horizontal Cross (Four-way tray) EC12.555011.000					
Horizontal Cross Cover (Four-way tray guider cover) EC12.555111.000					

* other length is available on request

Hybrid Connector/Adapters

6" to 4" and 10" to 6"

Type / ec number	Shape	Accessories	Top view	Side view	Model
6" to 4" Horizontal T (6" to 4" Three-Way Tray) EC12.432011.000					
6" to 4" Horizontal T Cover (6" to 4" Three-Way Tray Cover) EC12.432111.000					
6" to 4" Horizontal Cross (6" to 4" Four-Way Tray) EC12.532011.000					
6" to 4" Horizontal Cross Cover (6" to 4" Four-Way Tray Cover) EC12.532111.000					
6" to 4" Adapter (6" to 4" Guider) EC12.132011.000					
6" to 4" Adapter Cover (6" to 4" Guider Cover) EC12.132111.000					
10" to 6" Adapter (10" to 6" Guider) EC12.143011.000					
10" to 6" Adapter Cover (10" to 6" Guider Cover) EC12.143111.000					

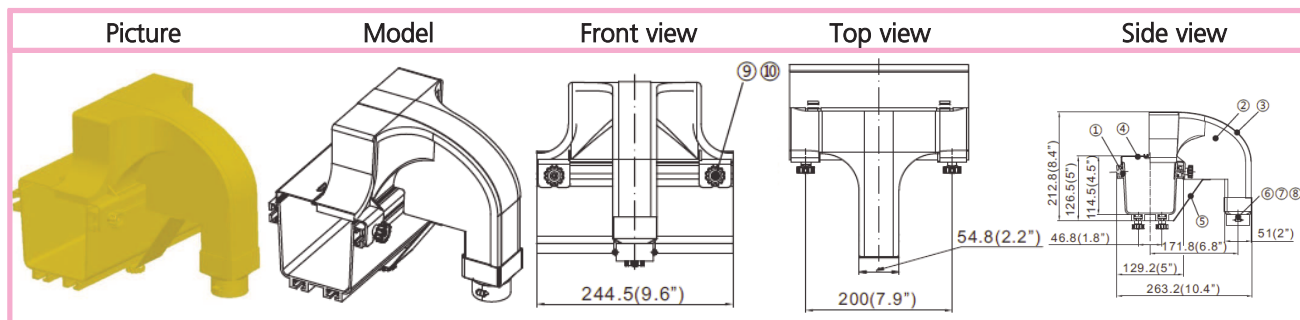
Hybrid Connector/Adapters

12" to 6"					
Type / ec number	Shape	Accessories	Top view	Side view	Model
12" to 6" Adapter (12" to 6" Guidery) EC12.153011.000					
12" to 6" Adapter Cover (12" to 6" Guidery) EC12.153111.000					
12" to Dual 6" Adapter (12" to 6" Guidery) EC12.D53011.000					
12" to Dual 6" Adapter Cover (12" to 6" Guidery) EC12.D53111.000					
12" to 6" Horizontal T (12" to 6" Three-Way Guidery) EC12.453011.000					
12" to 6" Horizontal T Cover (12" to 6" Three-Way Guidery) EC12.453111.000					
12" to 6" Horizontal Cross (12" to 6" Four-Way Guidery) EC12.553011.000					
12" to 6" Horizontal Cross Cover (12" to 6" Four-Way Guidery) EC12.553111.000					

Hybrid Connector/Adapters

Connector					
Type / ec number	Shape	Accessories	Top view	Side view	Model
12" to 10" Connector Kit EC12.653012.000		1 Fixing knob 8 2 Bolt 8			

2" Quick Exit with Flex Tube Drop



These dimensions are for 4" guider size. Dimensions for other size is available on request.

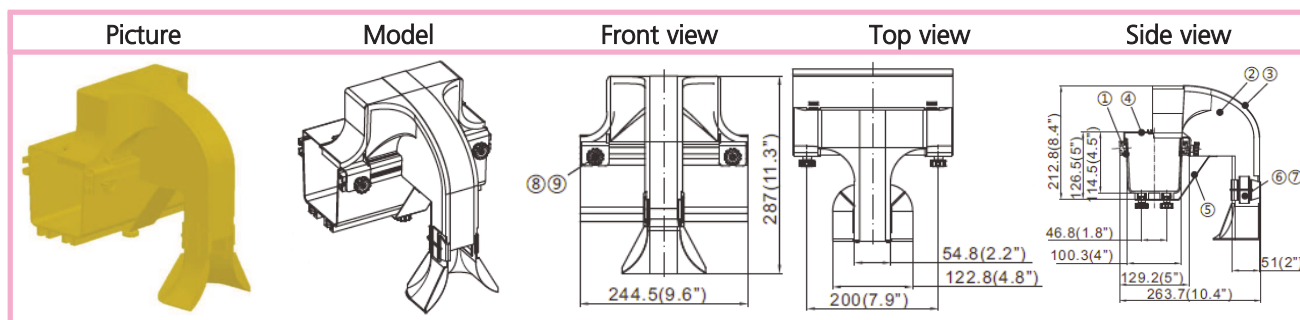
Exit Kit for 4" Guider (EC12.C12012.010)

Item	ec number	Part	Qty
1	EC12.122011.000	4" Straight Section	1
2	EC12.C10011.010	2" Quick Exit	1
3	EC12.C10111.010	2" Quick Exit Cover	1
4	EC12.A12111.000-01	2" Quick Exit End Cover	1
5	EC12.A20000.000-02	4" Supporting Bracket	1
6	EC12.A10000.000-06	Splat	1
7	EC12.A00000.000-09	Fiber Exit Connector	1
8	EC12.A00000.000-08	M3*8 Cross Recessed Pan Head Screw	2
9	EC12.A00000.000-04	Fixing Knob	4
10	EC12.A00000.000-05	Bolt	4

Exit Kit for 6" Guider (EC12.C13012.010)

Item	ec number	Part	Qty
1	EC12.133011.000	6" Straight Section	1
2	EC12.C10011.010	2" Quick Exit	1
3	EC12.C10111.010	2" Quick Exit Cover	1
4	EC12.A13111.000-01	2" Quick Exit End Cover	1
5	EC12.A30000.000-02	6" Supporting Bracket	1
6	EC12.A10000.000-06	Splat	1
7	EC12.A00000.000-09	Fiber Exit Connector	1
8	EC12.A00000.000-08	M3*8 Cross Recessed Pan Head Screw	2
9	EC12.A00000.000-04	Fixing Knob	4
10	EC12.A00000.000-05	Bolt	4

2" Quick Exit with Trumpet Flare Drop



These dimensions are for 4" size. Dimensions for other size is available on request.

Exit Kit for 4" Guider (EC12.C12012.040)

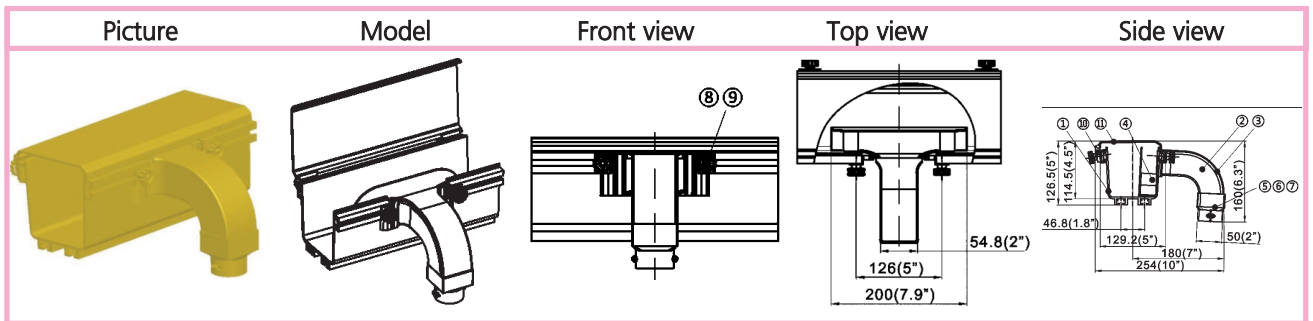
Item	ec number	Part	Qty
1	EC12.122011.000	4" Straight Section	1
2	EC12.C10011.010	2" Quick Exit	1
3	EC12.C10111.010	2" Quick Exit Cover	1
4	EC12.A12111.000-01	2" Quick Exit End Cover	1
5	EC12.A20000.000-02	4" Supporting Bracket	1
6	EC12.611111.000	2" Connector	1
7	EC12.A00000.000-03	Trumpet Flare	1
8	EC12.A00000.000-04	Fixing Knob	4
9	EC12.A00000.000-05	Bolt	4

Exit Kit for 6" Guider (EC12.C13012.040)

Item	ec number	Part	Qty
1	EC12.133011.000	6" Straight Section	1
2	EC12.C10011.000	2" Quick Exit	1
3	EC12.C10111.000	2" Quick Exit Cover	1
4	EC12.A13111.000-01	2" Quick Exit End Cover	1
5	EC12.A30000.000-02	6" Supporting Bracket	1
6	EC12.611111.000	2" Connector	1
7	EC12.A00000.000-03	Trumpet Flare	1
8	EC12.A00000.000-04	Fixing Knob	4
9	EC12.A00000.000-05	Bolt	4

Exit Drop Options

2" Fixed Exit with Flex Tube Drop (required to remove sidewall)



These dimensions are for 4" guider size. Dimensions for other size is available on request.

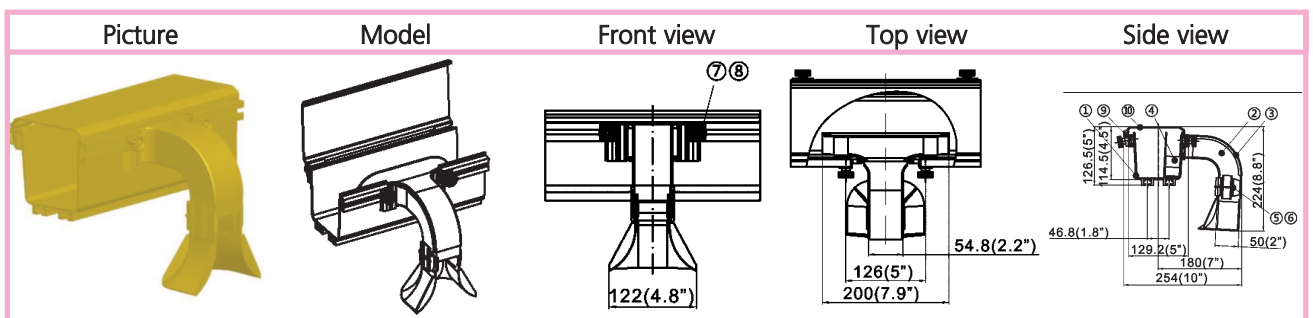
Exit Kit for 4" Guider (EC12.912012.030)

Item	ec number	Part	Qty
1	EC12.122011.000	4" Straight Section	1
2	EC12.910011.000	2" Fixed Exit	1
3	EC12.910111.000	2" Fixed Exit Cover	1
4	EC12.A10000.000-10	2" Guider Fiber Runner	1
5	EC12.A10000.000-06	Splat	1
6	EC12.A00000.000-07	Flex tube attachment	1
7	EC12.A00000.000-04	Fixing knob	2
8	EC12.A00000.000-05	Bolt	2
9	EC12.A00000.000-11	Hinge	
10	EC12.122111.000	4" Straight Section Cover	

Exit Kit for 6" Guider (EC12.913012.030)

Item	ec number	Part	Qty
1	EC12.133011.000	6" Straight Section	1
2	EC12.910011.000	2" Fixed Exit	1
3	EC12.910111.000	2" Fixed Exit Cover	1
4	EC12.A10000.000-10	2" Guider Fiber Runner	1
5	EC12.A10000.000-06	Splat	1
6	EC12.A00000.000-07	Flex tube attachment	1
7	EC12.A00000.000-04	Fixing knob	2
8	EC12.A00000.000-05	Bolt	2
9	EC12.A00000.000-11	Hinge	
10	EC12.133011.000	6" Straight Section Cover	

2" Fixed Exit with Trumpet Flare Drop (required to remove sidewall)



These dimensions are for 4" size. Dimensions for other size is available on request.

Exit Kit for 4" Guider (EC12.912012.060)

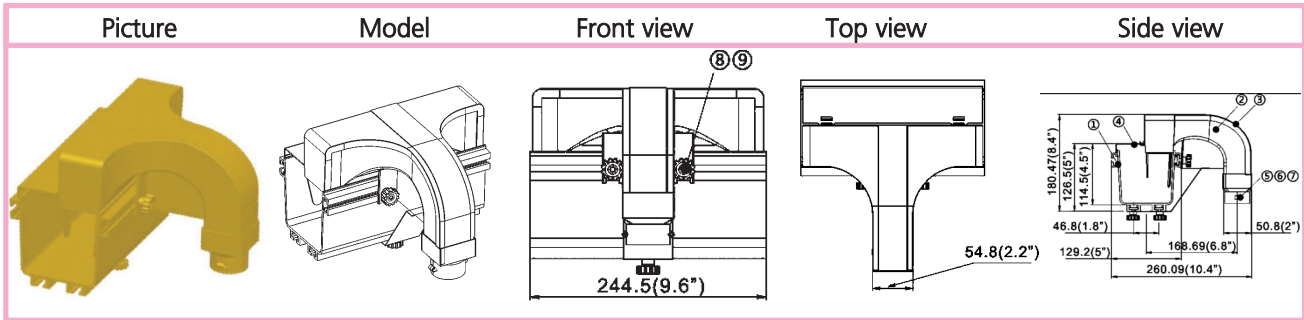
Item	ec number	Part	Qty
1	EC12.122011.000	4" Straight Section	1
2	EC12.910011.000	2" Fixed Exit	1
3	EC12.910111.000	2" Fixed Exit Cover	1
4	EC12.A10000.000-10	2" Guider Fiber Runner	1
5	EC12.611111.000	2" Connector	1
6	EC12.A00000.000-03	Trumpet Flare	1
7	EC12.A00000.000-04	Fixing knob	2
8	EC12.A00000.000-05	Bolt	2
9	EC12.A00000.000-11	Hinge	N/A
10	EC12.122111.000	4" Straight Section Cover	N/A

Exit Kit for 6" Guider (EC12.912012.060)

Item	ec number	Part	Qty
1	EC12.133011.000	6" Straight Section	1
2	EC12.910011.000	2" Fixed Exit	1
3	EC12.910111.000	2" Fixed Exit Cover	1
4	EC12.A10000.000-10	2" Guider Fiber Runner	1
5	EC12.611111.000	2" Connector	1
6	EC12.A00000.000-03	Trumpet Flare	1
7	EC12.A00000.000-04	Fixing knob	2
8	EC12.A00000.000-05	Bolt	2
9	EC12.A00000.000-11	Hinge	N/A
10	EC12.133111.000	6" Straight Section Cover	N/A

Exit Drop Options

2" Quick Exit with Flex Tube Drop 2



These dimensions are for 4" guider size. Dimensions for other size is available on request.

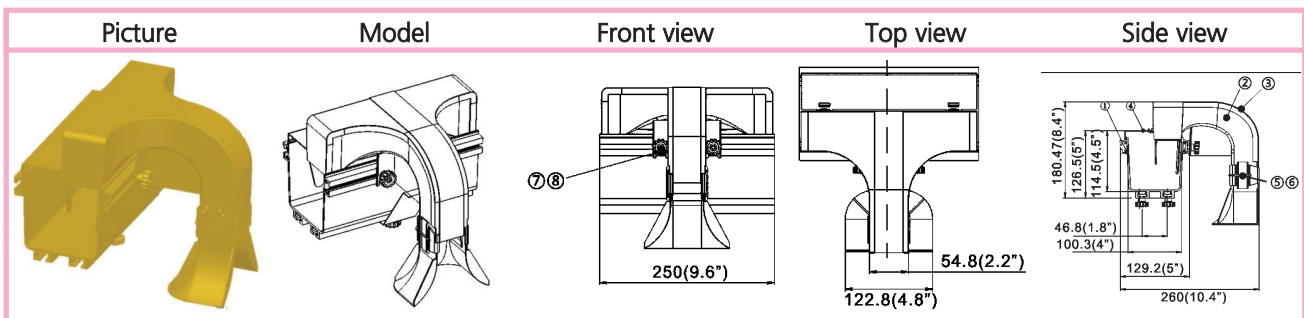
Exit Kit for 4" Guider (EC12.C12012.020)

Item	ec number	Part	Qty
1	EC12.122011.000	4" Straight Section	1
2	EC12.C10011.020-48	2" Quick Exit	1
3	EC12.C10111.020-49	2" Quick Exit Cover	1
4	EC12.A12111.000-01	2" Quick Exit End Cover	1
5	EC12.A10000.000-06	Splat	1
6	EC12.A00000.000-09	Fiber Exit Connector	1
7	EC12.A00000.000-08	M3*8 Cross Recessed Pan Head Screw	2
8	EC12.A00000.000-04	Fixing Knob	2
9	EC12.A00000.000-05	Bolt	2

Exit Kit for 6" Guider (EC12.C13012.020)

Item	ec number	Part	Qty
1	EC12.133011.000	6" Straight Section	1
2	EC12.C10011.020-48	2" Quick Exit	1
3	EC12.C10111.020-49	2" Quick Exit Cover	1
4	EC12.A23111.010-46	2" Quick Exit End Cover	1
5	EC12.A10000.000-06	Splat	1
6	EC12.A00000.000-09	Fiber Exit Connector	1
7	EC12.A00000.000-08	M3*8 Cross Recessed Pan Head Screw	2
8	EC12.A00000.000-04	Fixing Knob	2
9	EC12.A00000.000-05	Bolt	2

2" Quick Exit with Trumpet Flare Drop 2



These dimensions are for 4" size. Dimensions for other size is available on request.

Exit Kit for 4" Guider (EC12.C12012.050)

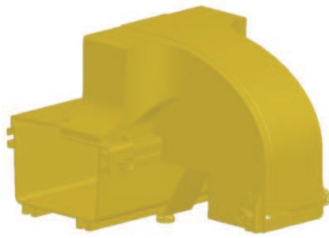
Item	ec number	Part	Qty
1	EC12.122011.000	4" Straight Section	1
2	EC12.C10011.020	2" Quick Exit	1
3	EC12.C10111.020	2" Quick Exit Cover	1
4	EC12.A12111.000-01	2" Quick Exit End Cover	1
5	EC12.611111.000	2" Connector	1
6	EC12.A00000.000-03	Trumpet Flare	1
7	EC12.A00000.000-04	Fixing Knob	2
8	EC12.A00000.000-05	Bolt	2

Exit Kit for 6" Guider (EC12.C13012.050)

Item	ec number	Part	Qty
1	EC12.133011.000	6" Straight Section	1
2	EC12.C10011.020	2" Quick Exit	1
3	EC12.C10111.020	2" Quick Exit Cover	1
4	EC12.A13111.010-46	2" Quick Exit End Cover	1
5	EC12.611111.000	2" Connector	1
6	EC12.A00000.000-03	Trumpet Flare	1
7	EC12.A00000.000-04	Fixing Knob	2
8	EC12.A00000.000-05	Bolt	2

Exit Drop Options

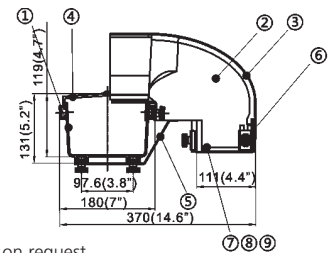
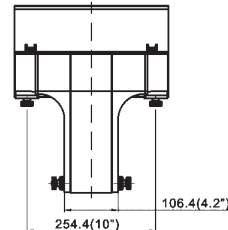
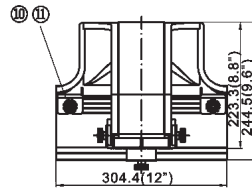
4" Quick Exit with Flex Tube Drop



Front view

Top view

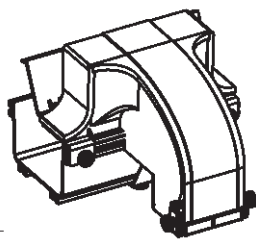
Side view



These dimensions are for 6" size. Dimensions for other size is available on request.

Exit Kit for 6", 10" and 12" Guider

Item	ec number	Part	Quantity		
			6"	10"	12"
1	EC12.133011.000	6" Straight Section	N/A	0	0
1	EC12.144011.000	10" Straight Section	0	N/A	0
1	EC12.155011.000	12" Straight Section	0	0	N/A
2	EC12.C20011.000	4" Quick Exit	1	1	1
3	EC12.C20111.000	4" Quick Exit Cover	1	1	1
4	EC12.A23111.010-01	4" Quick Exit End Cover (for 6")	1	0	0
4	EC12.A24111.010-01	4" Quick Exit End Cover (for 10")	0	1	0
4	EC12.A25111.010-01	4" Quick Exit End Cover (for 12")	0	0	1
5	EC12.A30000.000-42	6" Supporting Bracket	1	0	0
5	EC12.A40000.000-42	10" Supporting Bracket	0	1	0
5	EC12.A50000.000-42	12" Supporting Bracket	0	0	1
6	EC12.A20000.000-06	Splat	3	3	3
7	EC12.A20000.000-13	4" Fiber Board (1)	Choose one		
8	EC12.A20000.000-14	4" Fiber Board (2)			
9	EC12.A20000.000-15	4" Fiber Board (3)			
10	EC12.A00000.000-04	Fixing Knob	7	7	7
11	EC12.A00000.000-05	Bolt	7	7	7
12	EC12.C23012.010	6" Complete set	1	0	0
13	EC12.C24012.010	10" Complete set	0	1	0
14	EC12.C25012.010	12" Complete set	0	0	1

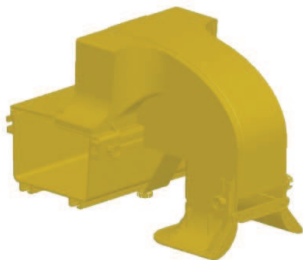


Fiber Boards:

- 1: 2 Holes (35mm each)
- 2: 3 Holes (35mm each)
- 3: 1 Hole (80mm each)

- 1: for 6" Guider
- 2: for 10" Guider
- 3: for 12" Guider

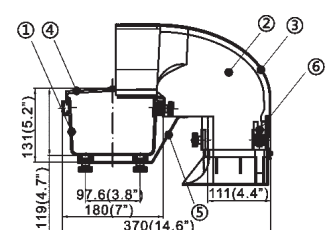
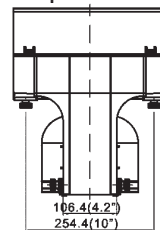
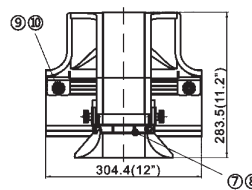
4" Quick Exit with Trumpet Flare Drop



Front view

Top view

Side view

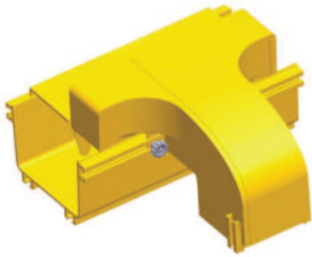


These dimensions are for 6" size. Dimensions for other size is available on request.

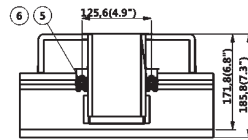
Exit Kit for 6", 10" and 12" Guider

Item	ec number	Part	Quantity		
			6"	10"	12"
1	EC12.133011.000	6" Straight Section	N/A	0	0
1	EC12.144011.000	10" Straight Section	0	N/A	0
1	EC12.155011.000	12" Straight Section	0	0	N/A
2	EC12.C20011.000	4" Quick Exit	1	1	1
3	EC12.C20111.000	4" Quick Exit Cover	1	1	1
4	EC12.A23111.010-45	4" Quick Exit End Cover (for 6")	1	0	0
4	EC12.A24111.010-01	4" Quick Exit End Cover (for 10")	0	1	0
4	EC12.A25111.010-01	4" Quick Exit End Cover (for 12")	0	0	1
5	EC12.A30000.000-42	6" Supporting Bracket	1	0	0
5	EC12.A40000.000-42	10" Supporting Bracket	0	1	0
5	EC12.A50000.000-42	12" Supporting Bracket	0	0	1
6	EC12.A20000.000-06	Splat	3	3	3
7	EC12.A20000.000-03	4" Trumpet Flare	1	1	1
8	EC12.A20000.000-16	4" Pull Rod	1	1	1
9	EC12.A00000.000-04	Fixing Knob	7	7	7
10	EC12.A00000.000-05	Bolt	7	7	7
11	EC12.C23012.040	6" Complete set	1	0	0
12	EC12.C24012.040	10" Complete set	0	1	0
13	EC12.C25012.040	12" Complete set	0	0	1

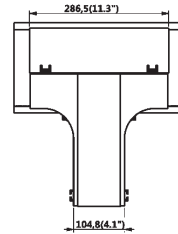
4" Quick Exit with Flex Tube Drop 2



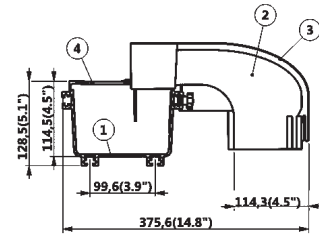
Front view



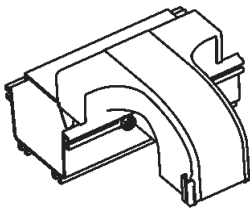
Top view



Side view



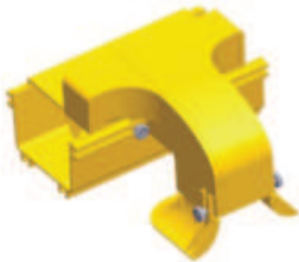
These dimensions are for 6" size. Dimensions for other size is available on request.



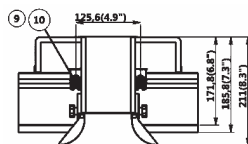
Exit Kit for 6", 10" and 12" Guider

Item	ec number	Part	Quantity		
			6"	10"	12"
1	EC12.133011.000	6" Straight Section	N/A	0	0
1	EC12.144011.000	10" Straight Section	0	N/A	0
1	EC12.155011.000	12" Straight Section	0	0	N/A
2	EC12.C20011.000-41	4" Quick Exit	1	1	1
3	EC12.C20111.000-43	4" Quick Exit Cover	1	1	1
4	EC12.C32111.020-44	6" to 4" Exit Cover	1	0	0
6	EC12.A00000.000-06	Splat	3	3	3
7	EC12.A20000.000-13	4" Fiber Board (1)	Choose one		
8	EC12.A20000.000-14	4" Fiber Board (2)			
9	EC12.A20000.000-15	4" Fiber Board (3)			
10	EC12.A00000.000-04	Fixing Knob	7	7	7
11	EC12.A00000.000-05	Bolt	7	7	7
12	EC12.C23012.020	6" Complete set	1	0	0
13	EC12.C24012.020	10" Complete set	0	1	0
14	EC12.C25012.020	12" Complete set	0	0	1

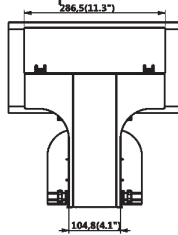
4" Quick Exit with Trumpet Flare Drop 2



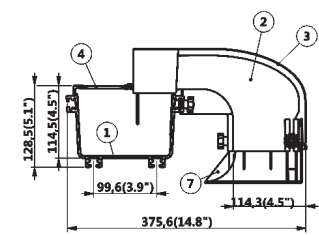
Front view



Top view



Side view



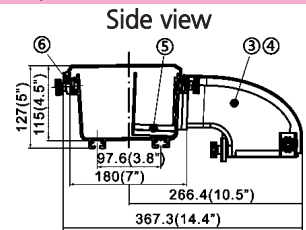
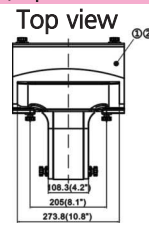
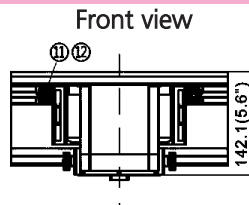
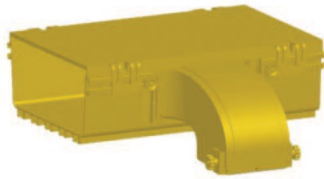
These dimensions are for 6" size. Dimensions for other size is available on request.

Exit Kit for 6", 10" and 12" Guider

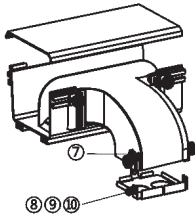
Item	ec number	Part	Quantity		
			6"	10"	12"
1	EC12.133011.000	6" Straight Section	N/A	0	0
1	EC12.144011.000	10" Straight Section	0	N/A	0
1	EC12.155011.000	12" Straight Section	0	0	N/A
2	EC12.C20011.000-41	4" Quick Exit	1	1	1
3	EC12.C20111.000-43	4" Quick Exit Cover	1	1	1
4	EC12.C32111.020-44	6" to 4" Exit Cover	1	0	0
6	EC12.A00000.000-06	Splat	3	3	3
7	EC12.A20000.000-03	4" Trumpet Flare	1	1	1
8	EC12.A20000.000-16	4" Pull Rod	1	1	1
9	EC12.A00000.000-04	Fixing Knob	7	7	7
10	EC12.A00000.000-05	Bolt	7	7	7
11	EC12.C23012.050	6" Complete set	1	0	0
12	EC12.C24012.050	10" Complete set	0	1	0
13	EC12.C25012.050	12" Complete set	0	0	1

Exit Drop Options

4" Fixed Exit with Flex Tube Drop (required to remove sidewall)



These dimensions are for 6" size. Dimensions for other size is available on request.



Fiber Boards:

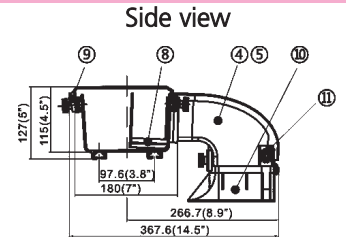
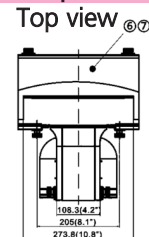
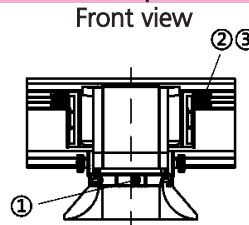
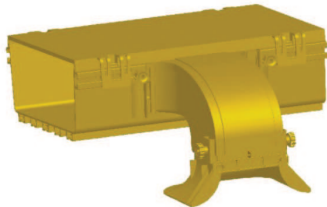
- 1: 2 Holes (35mm each)
- 2: 3 Holes (35mm each)
- 3: 1 Hole (80mm each)

- 1: for 6" Guider
- 2: for 10" Guider
- 3: for 12" Guider

Exit Kit for 6", 10" and 12" Guider

Item	ec number	Part	Quantity		
			6"	10"	12"
1	EC12.133011.000	6" Straight Section	N/A	0	0
1	EC12.144011.000	10" Straight Section	0	N/A	0
1	EC12.155011.000	12" Straight Section	0	0	N/A
2	EC12.133111.000	6" Straight Section Cover	N/A	0	0
2	EC12.144111.000	10" Straight Section Cover	0	N/A	0
2	EC12.155111.000	12" Straight Section Cover	0	0	N/A
3	EC12.920011.000	4" Fixed Exit	1	1	1
4	EC12.920111.000	4" Fixed Exit Cover	1	1	1
5	EC12.A20000.000-17	4" Runner	1	1	1
6	EC12.A00000.000-11	Hinge	2	0	0
7	EC12.A20000.000-06	Splat	3	3	3
8	EC12.A20000.000-13	4" Fiber Board (1)	Choose one		
9	EC12.A20000.000-14	4" Fiber Board (2)			
10	EC12.A20000.000-15	4" Fiber Board (3)			
11	EC12.A00000.000-04	Fixing Knob	7	5	5
12	EC12.A00000.000-05	Bolt	7	5	5
13	EC12.923012.030	6" Complete set	1	0	0
14	EC12.924012.030	10" Complete set	0	1	0
15	EC12.925012.030	12" Complete set	0	0	1

4" Fixed Express Exit with Trumpet Flare



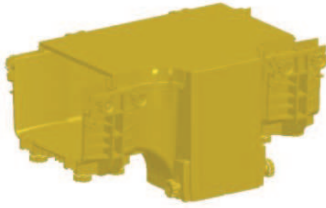
These dimensions are for 6" size. Dimensions for other size is available on request.

Exit Kit for 6", 10" and 12" Guider

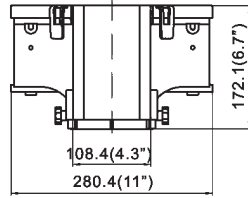
Item	ec number	Part	Quantity		
			6"	10"	12"
1	EC12.A20000.000-16	4" Pull Rod	1	1	1
2	EC12.A00000.000-4	Fixing Knob	7	5	5
3	EC12.A00000.000-5	Bolt	7	5	5
4	EC12.920011.000	4" Fixed Exit	1	1	1
5	EC12.920111.000	4" Fixed Exit Cover	1	1	1
6	EC12.A20000.000-17	4" Runner	1	1	1
7	EC12.A00000.000-11	Hinge	1	1	1
8	EC12.A20000.000-03	Trumpet Flare	1	1	1
9	EC12.A20000.000-06	Splat	3	3	3
10	EC12.133011.000	6" Straight Section	N/A	0	0
10	EC12.144011.000	10" Straight Section	0	N/A	0
10	EC12.155011.000	12" Straight Section	0	0	N/A
11	EC12.133111.000	6" Straight Section Cover	N/A	0	0
11	EC12.144111.000	10" Straight Section Cover	0	N/A	0
11	EC12.155111.000	12" Straight Section Cover	0	0	N/A
12	EC12.923012.060	6" Complete set	1	0	0
13	EC12.924012.060	10" Complete set	0	1	0
14	EC12.925012.060	12" Complete set	0	0	1

Exit Drop Options

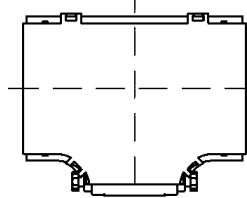
Downspout with Flex Tube



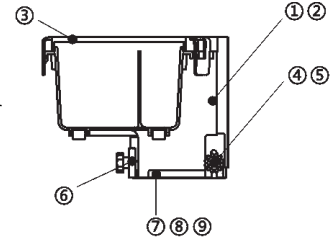
Front view



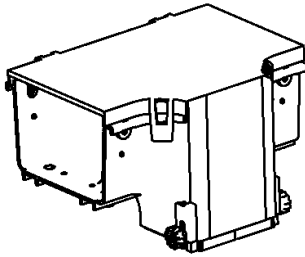
Top view



Side view



These dimensions are for 6" size. Dimensions for other size is available on request.



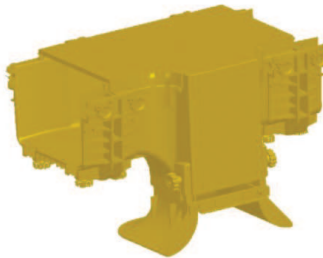
Fiber Boards:

-  1.: 2 Holes (35 mm each)
-  2.: 3 Holes (35 mm each)
-  3.: 1 Holes (80 mm each)

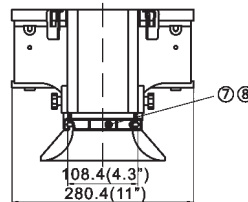
Downspout for 6" Guider (EC12.B30012.010)

Item	ec number	Part	Quantity 6"
1	EC12.B33011.000	6" Downspout	1
2	EC12.A30000.000-19	6" Fiber Splitting Excess/Exit tray Front Cover	1
3	EC12.432111.000	6 to 4" Horizontal T Cover	1
4	EC12.A00000.000-04	Fixing Knob	19
5	EC12.A00000.000-05	Bolt	11
6	EC12.A20000.000-06	Splat	1
7	EC12.A20000.000-13	4" Fiber Board (1)	Choose one
8	EC12.A20000.000-14	4" Fiber Board (2)	
9	EC12.A20000.000-15	4" Fiber Board (3)	

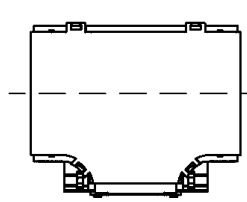
Downspout with Trumpet Flare



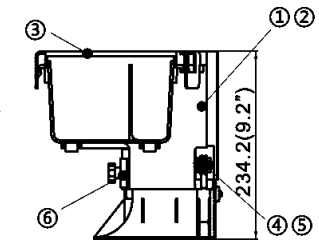
Front view



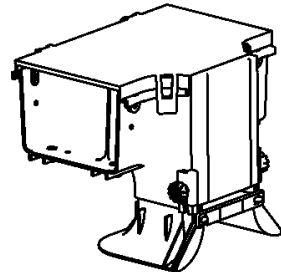
Top view



Side view



These dimensions are for 6" size. Dimensions for other size is available on request.

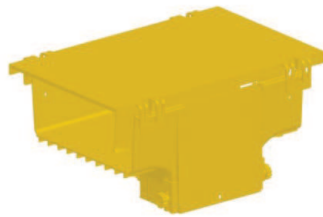


Downspout for 6" Guider (EC12.B30012.040)

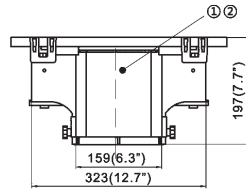
Item	ec number	Part	Quantity 6"
1	EC12.B33011.000	6" Downspout	1
2	EC12.A30000.000-19	6" Downspout front cover	1
3	EC12.432111.000	6 to 4" Horizontal T Cover	1
4	EC12.A00000.000-04	Fixing Knob	3
5	EC12.A00000.000-05	Bolt	3
6	EC12.A20000.000-06	Splat	1
7	EC12.A20000.000-16	4" Pull Rod	1
8	EC12.A20000.000-03	4" Trumpet Flare	1

Exit Drop Options

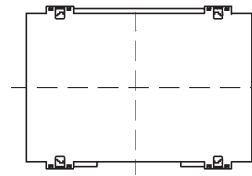
Downspout with Flex Tube



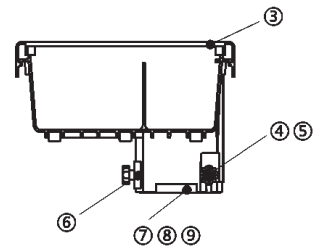
Front view



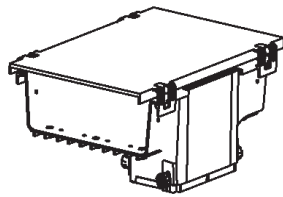
Top view



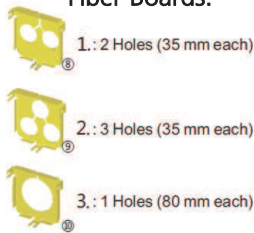
Side view



These dimensions are for 10" size. Dimensions for other size is available on request.



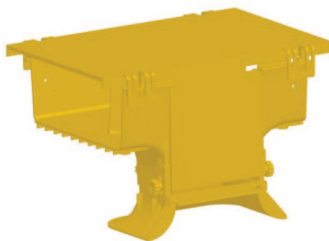
Fiber Boards:



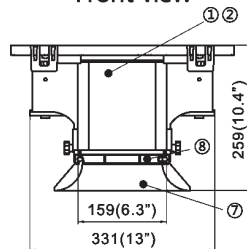
Downspout for 10" and 12" Guider

Item	ec number	Part	Quantity	
			10"	12"
1	EC12.B44011.000	10" Downspout	1	0
1	EC12.B55011.000	12" Downspout	0	1
2	EC12.A50000.000-18	12" Downspout Front Cover	1	1
3	EC12.144111.000	10" Straight Section Cover	0	1
3	EC12.155111.000	12" Straight Section Cover	1	1
4	EC12.A00000.000-04	Fixing Knob	4	4
5	EC12.A00000.000-05	Bolt	4	4
6	EC12.A20000.000-06	Splat	2	2
7	EC12.A50000.000-13	12" Fiber Board (1)	Choose one	
8	EC12.A50000.000-14	12" Fiber Board (2)		
9	EC12.A50000.000-15	12" Fiber Board (3)		
10	EC12.B40012.010	10" Complete set		
11	EC12.B50012.010	12" Complete set		

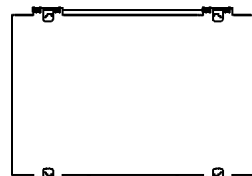
Downspout with Trumpet Flare



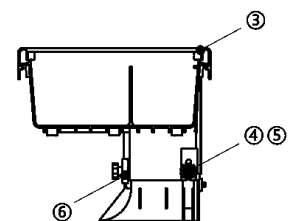
Front view



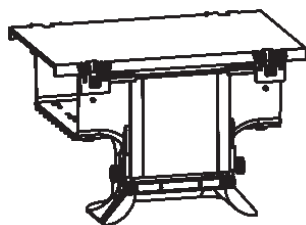
Top view



Side view



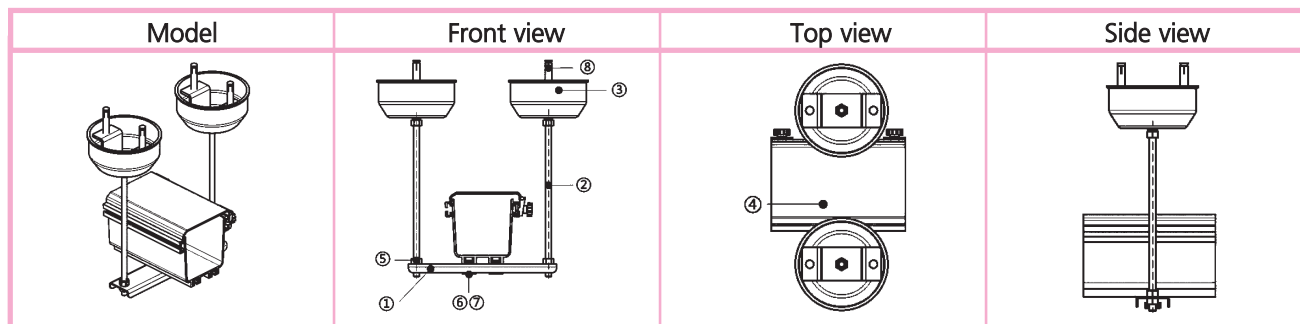
These dimensions are for 10" size. Dimensions for other size is available on request.



Downspout for 10" and 12" Guider

Item	ec number	Part	Quantity	
			10"	12"
1	EC12.B44011.000	10" Downspout	1	0
1	EC12.B55011.000	12" Downspout	0	1
2	EC12.144111.000	10" Straight Section Cover	1	0
2	EC12.155111.000	12" Downspout Front Cover	0	1
3	EC12.A50000.000-18	12" Straight Section Cover	1	1
4	EC12.A00000.000-04	Fixing Knob	4	4
5	EC12.A00000.000-05	Bolt	4	4
6	EC12.A20000.000-06	Splat	2	2
7	EC12.A30000.000-03	6" Trumpet Flare	1	1
8	EC12.A30000.000-16	6" Pull Rod	1	1
9	EC12.B40012.040	10" Complete set		
10	EC12.B50012.040	12" Complete set		

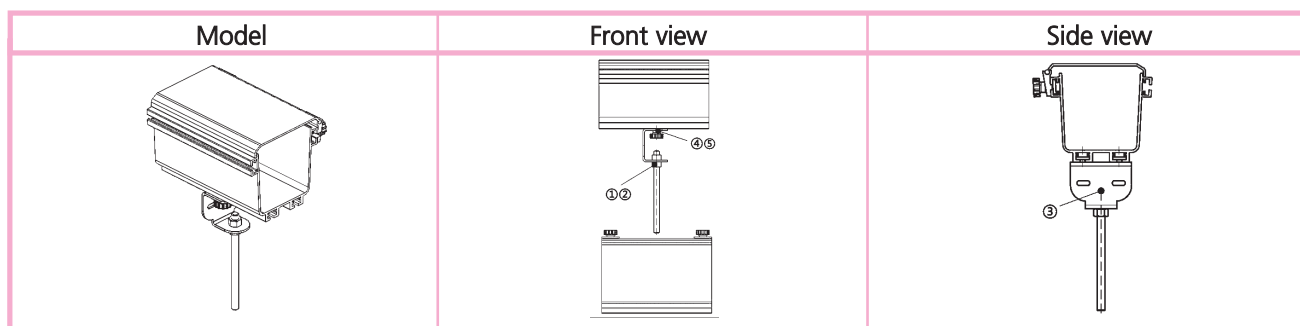
Trapeze Support



Installation Parts

Item	ec number	Part	Quantity			
			4"	6"	10"	12"
1	EC12.A20000.000-20	4" Trapeze Bracket	1	0	0	0
1	EC12.A30000.000-20	6" Trapeze Bracket	0	1	0	0
1	EC12.A40000.000-20	10" Trapeze Bracket	0	0	1	0
1	EC12.A50000.000-20	12" Trapeze Bracket	0	0	0	1
2	EC12.A00000.000-21	Threaded Rod*	2	2	2	2
3	EC12.A00000.000-22	Ejector Sleeve	2	2	2	2
4	EC12.A00000.000-02	Supporting Bracket	2	2	2	2
5	EC12.A00000.000-23	M10 Screw Nut Kits	8	8	8	8
6	EC12.A00000.000-04	Fixing Knob	2	2	2	2
7	EC12.A00000.000-05	Bolt	2	2	2	2
8	EC12.A00000.000-24	M8 Expansion Screw	4	4	4	4
9	EC12.I20002.000-25	Complete set for 4" size	1	0	0	0
10	EC12.I30002.000-25	Complete set for 6" size	0	1	0	0
11	EC12.I40002.000-25	Complete set for 10" size	0	0	1	0
12	EC12.I50002.000-25	Complete set for 12" size	0	0	0	1

Top of Rack/Cabinet Support



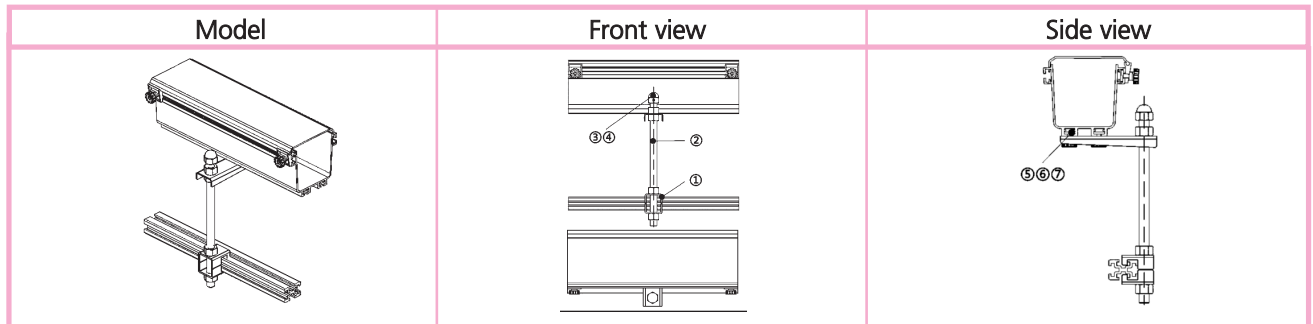
Installation Parts

Item	ec number	Part	Quantity			
			4"	6"	10"	12"
1	EC12.A00000.000-38	Threaded Rod *	1	1	1	1
2	EC12.A00000.000-35	M12 Screw Nut Kits	2	2	2	2
3	EC12.A20000.000-34	4" Center Support Bracket	1	0	0	0
3	EC12.A30000.000-34	6" Center Support Bracket	0	1	0	0
3	EC12.A40000.000-34	10" Center Support Bracket	0	0	1	0
3	EC12.A50000.000-34	12" Center Support Bracket	0	0	0	1
4	EC12.A00000.000-04	Fixing Knob	3	3	3	3
5	EC12.A00000.000-05	Bolt	3	3	3	3
6	EC12.I20002.000-26	Complete set for 4" size	1	0	0	0
7	EC12.I30002.000-26	Complete set for 6" size	0	1	0	0
8	EC12.I40002.000-26	Complete set for 10" size	0	0	1	0
9	EC12.I50002.000-26	Complete set for 12" size	0	0	0	1

*Recommended Threaded Rod Diameter is 10mm and length is upon request.
Please state the required length on the PO.

Installation/Supporting Systems

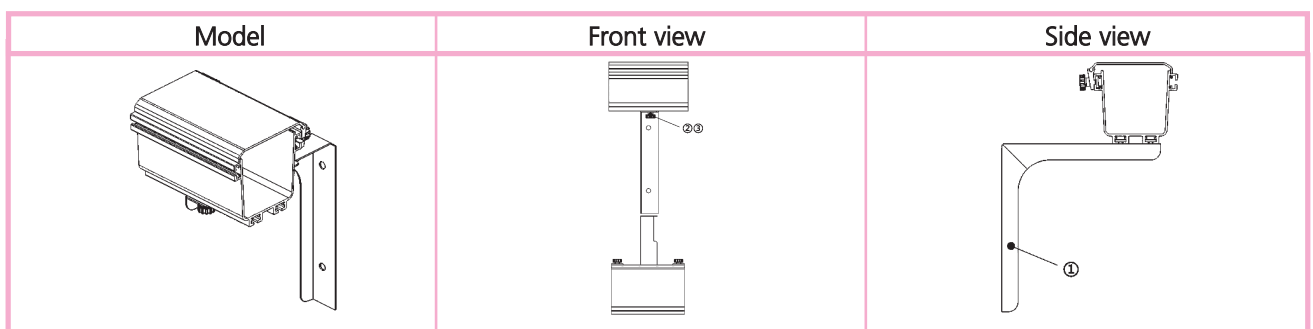
Auxiliary Framing support



Installation Parts

Item	ec number	Part	Quantity			
			4"	6"	10"	12"
1	EC12.A00000.000-30	Ladder Rack Bracket	2	2	2	2
2	EC12.A00000.000-39	Threaded rod*	1	1	1	1
3	EC12.A00000.000-31	M16 Screw Nut Kits	4	4	4	4
4	EC12.A00000.000-32	M16 Cap Nut	1	1	1	1
5	EC12.A20000.000-02	4" Supporting Bracket (2)	1	0	0	0
5	EC12.A30000.000-02	6" Supporting Bracket (2)	0	1	0	0
5	EC12.A40000.000-02	10" Supporting Bracket (2)	0	0	1	0
5	EC12.A50000.000-02	12" Supporting Bracket (2)	0	0	0	1
6	EC12.A00000.000-04	Fixing Knob	2	2	3	2
7	EC12.A00000.000-05	Bolt	2	2	3	2
8	EC12.I20002.000-27	Complete set for 4" size	1	0	0	0
9	EC12.I30002.000-27	Complete set for 6" size	0	1	0	0
10	EC12.I40002.000-27	Complete set for 10" size	0	0	1	0
11	EC12.I50002.000-27	Complete set for 12" size	0	0	0	1

Wall Support

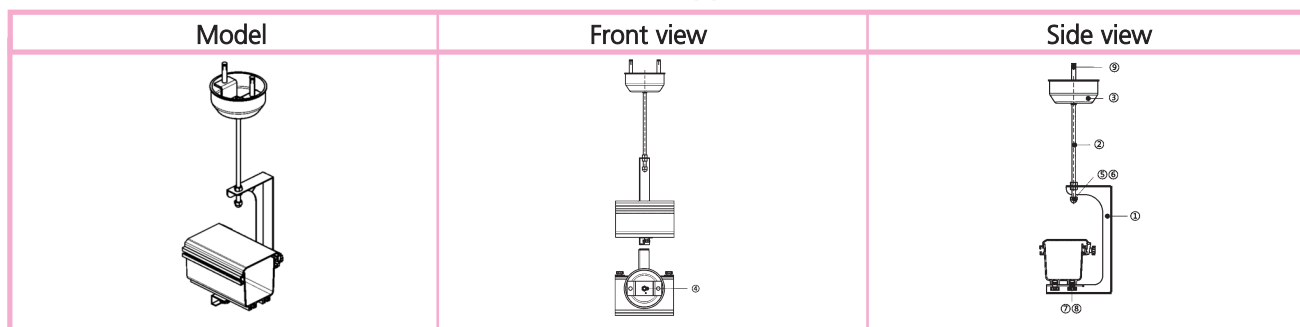


Installation Parts

Item	ec number	Part	Quantity			
			4"	6"	10"	12"
1	EC12.A20000.000-33	4" Side Support Bracket	1	0	0	0
1	EC12.A30000.000-33	6" Side Support Bracket	0	1	0	0
1	EC12.A40000.000-33	10" Side Support Bracket	0	0	1	0
1	EC12.A50000.000-33	12" Side Support Bracket	0	0	0	1
2	EC12.A00000.000-04	Fixing Knob	2	2	3	3
3	EC12.A00000.000-05	Bolt	2	2	3	3
4	EC12.I20002.000-28	Complete set for 4" size	1	0	0	0
5	EC12.I30002.000-28	Complete set for 6" size	0	1	0	0
6	EC12.I40002.000-28	Complete set for 10" size	0	0	1	0
7	EC12.I50002.000-28	Complete set for 12" size	0	0	0	1

*Recommended Threaded Rod Diameter is 10mm and length is upon request.
Please state the required length on the PO.

Anchor Support



Installation Parts

Item	ec number	Part	Quantity			
			4"	6"	10"	12"
1	EC12.A20000.000-34	4" C-Bracket	1	0	0	0
1	EC12.A30000.000-34	6" C-Bracket	0	1	0	0
1	EC12.A40000.000-34	10" C-Bracket	0	0	1	0
1	EC12.A50000.000-34	12" C-Bracket	0	0	1	1
2	EC12.A00000.000-21	Threaded rod*	1	1	1	1
3	EC12.A00000.000-22	Ejector Sleeve	1	1	1	1
4	EC12.A00000.000-02	Supporting Bracket	1	1	1	1
5	EC12.A00000.000-23	M10 Screw Nut Kits	4	4	4	4
6	EC12.A20000.000-36	M10 Cap Nut	1	1	1	1
7	EC12.A00000.000-04	Fixing Knob	2	2	3	3
8	EC12.A00000.000-05	Bolt	2	2	3	3
9	EC12.A00000.000-24	M8 Expansion Screw	2	2	3	3
10	EC12.I20002.000-29	Complete set for 4" size	1	0	0	0
11	EC12.I30002.000-29	Complete set for 6" size	0	1	0	0
12	EC12.I40002.000-29	Complete set for 10" size	0	0	1	0
13	EC12.I50002.000-29	Complete set for 12" size	0	0	0	1

*Recommended Threaded Rod Diameter is 10mm and length is upon request.
Please state the required length on the PO.

Packing information

For the package of our yellow ducts, in general we will pack them in wooden cases. For the wooden case, we have two dimensions :

- 2070*560*660mm - usually used for straight sections
- 2070*720*820mm - usually used for all the other parts except Straight section.

Capacity table:

Packing in wooden case:

Size	2070x560x660 mm	2070x720x820 mm
2"	76pcs (152m)	Depends on project
4"	38pcs (76m)	
6"	26pcs (52m)	
10"	18pcs (36m)	
12"	16pcs (32m)	

In case of small order, we can use cartoon box packing.

Note
