

ST Adapter Series

Adapter ST type

Field of Application

- CATV
- LAN&WAN
- Network
- Broadband
- FTTx

Features

- Compliant to Bellcore GR326 and TIA 568A standards
- Available H-shaped and Rectangular mount
- Coupling body zinc alloy for long life
- Threaded with nuts or snap-in coupling easily installs in panel mount



Product description

ST Adapter Series

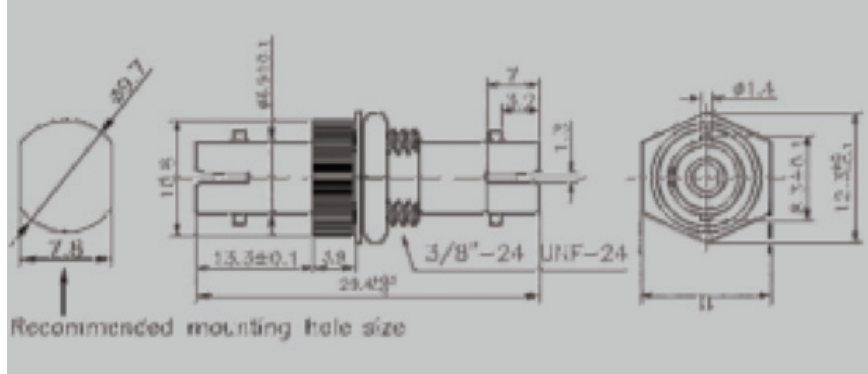
euroclust offers a full line of fibre optic adapters for every application including flanged threaded, metal, composite and hybrid or plug varieties. Available in simplex, duplex, with ceramic (Zirconia) sleeve for high precision alignment. All kind of adapters meet different demands for fibre optic applications according to international industry standards.

Rubber round dust caps as standard for all types. For multimode in black color and for singlemode in yellow color (red color for singlemode is available on request).

Technical parameters

	Grade B	Grade C
Sleeve Material	Ceramic	Ceramic
Insertion Loss (IEC 61300-3-4)	0.1dB	0.2dB
Mode type	Singlemode/Multimode	Singlemode/Multimode
Mating durability (IEC 61300-2-2)	500 cycles at not less than 3s between engagement	
Pull Out Force (IEC 61300-2-6)	1000N at 10N/s, 60s	
Cold (IEC 61300-2-17)	-40°C (±3°C), 96h	
Dry Heat (IEC 61300-2-18)	+85°C (±3°C), 96h	
Change of temperature (IEC 61300-2-22)	-40°C (±3°C) to +95 (±3°C) 60 min duration at extremes 1°C/min rate of change, 12cycles	
Damp Heat (IEC 61300-2-19)	40°C (±2°C) 93% RH, 2% to 3% RH, 96h	
Durability (500 Mating)	0,2dB max increase	
Withdrawal Force (g/f)	100/300	
Operating Temperature	-40 to +80°C	

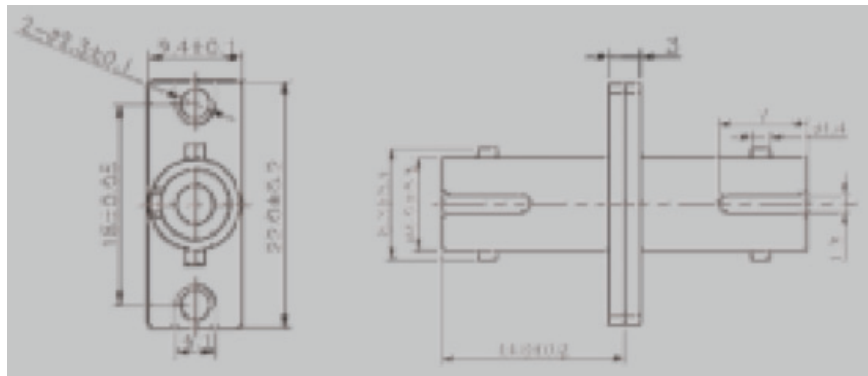
Components & Dimensions



UNF - Unified Fine Thread

ST Simplex Metal round, metal housing

Description	Net weight(g)	ec-Article Nr.:
STsx PC Adapter, central screw, Ceramic sleeve, SM, Grade B, yellow dust cap	8	EC02.340632.006
STsx PC Adapter, central screw, Ceramic sleeve, SM, Grade C, yellow dust cap	8	EC02.340132.006
STsx PC Adapter, central screw, Ceramic sleeve, MM, Grade C, black dust cap	8	EC02.340432.001



ST Simplex Metal (SC simplex footprint), metal housing

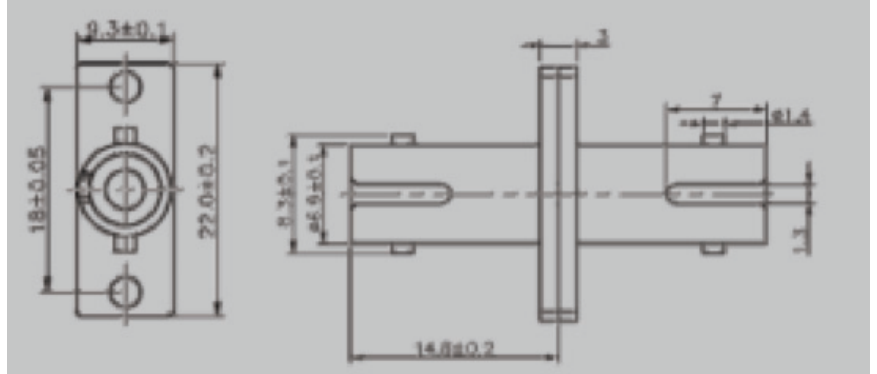
Description	Net weight(g)	ec-Article Nr.:
STsx PC Adapter, 2 screws, Ceramic sleeve, SM, Grade B, yellow dust cap	8	EC02.340634.006
STsx PC Adapter, 2 screws, Ceramic sleeve, SM, Grade C, yellow dust cap	8	EC02.340134.006
STsx PC Adapter, 2 screws, Ceramic sleeve, MM, Grade C, black dust cap	8	EC02.340434.001

Bold means preferred type

ST Adapter Series

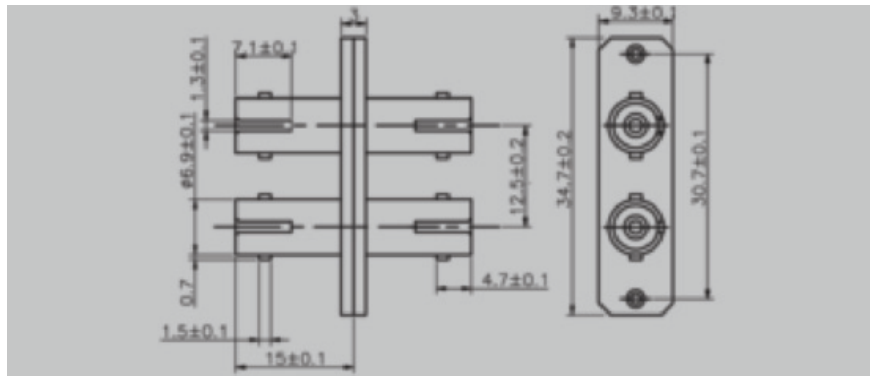
Adapter ST type

Components & Dimensions



ST Simplex Plastic (SC simplex footprint), plastic housing, SM in blue color and MM in beige color

Description	Net weight(g)	ec-Article Nr.:
STsx PC Adapter, 2 screws, Ceramic sleeve, SM, Grade B, yellow dust cap	3	EC02.340633.006
STsx PC Adapter, 2 screws, Ceramic sleeve, SM, Grade C, yellow dust cap	3	EC02.340133.006
STsx PC Adapter, 2 screws, Ceramic sleeve, MM, Grade C, black dust cap	3	EC02.340433.001

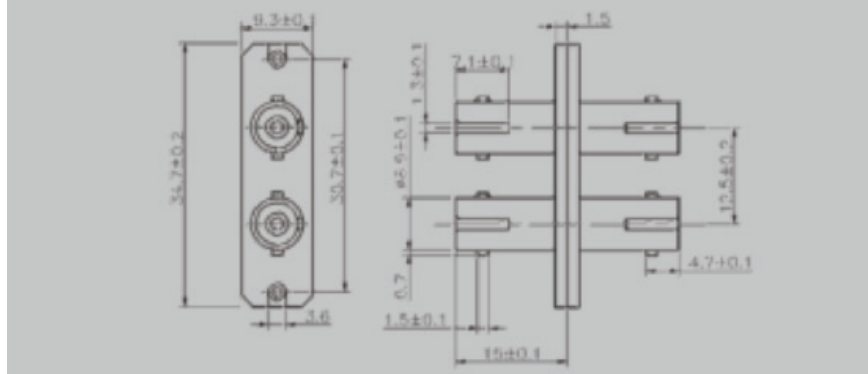


ST Duplex Plastic (SC duplex footprint), plastic housing, SM in blue color and MM in beige color

Description	Net weight(g)	ec-Article Nr.:
STdx PC Adapter, 2 screws, Ceramic sleeve, SM, Grade B yellow dust cap	5	EC02.340635.006
STdx PC Adapter, 2 screws, Ceramic sleeve, SM, Grade C yellow dust cap	5	EC02.340135.006
STdx PC Adapter, 2 screws, Ceramic sleeve, MM, Grade C, black dust cap	5	EC02.340435.001

Bold means preferred type

Components & Dimensions



ST Duplex Metal (SC duplex footprint), metal housing

Description	Net weight(g)	ec-Article Nr.:
STdx PC Adapter, 2 screws, Ceramic sleeve, SM, Grade B, yellow dust cap	14	EC02.340636.006
STdx PC Adapter, 2 screws, Ceramic sleeve, SM, Grade C, yellow dust cap	14	EC02.340136.006
STdx PC Adapter, 2 screws, Ceramic sleeve, MM, Grade C, black dust cap	14	EC02.340436.001

Bold means preferred type

Packaging

Depending on our customer's requirements, bulk or blister packaging is available. Standard packing is bulk packing.

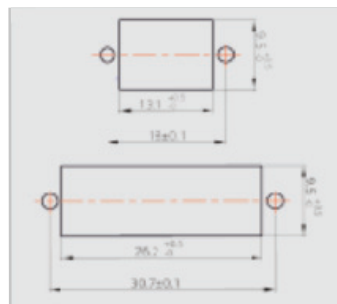
Bulk packaging

One bag consists of either:
50 pcs. Duplex Adapters
100 pcs. Simplex Adapters

Blister packaging

The size of each blister layer as well as the amount of adapters per blister layer may differ. Please ask your euroclust sales representative for details.

Mounting hole dimensions



Recommended mounting hole dimension:

The cut out for the adapter mounting should be of the above dimensions.

Note : This recommended mounting hole dimension is valid for all types of ST adapters except Simplex metal round.

Screw mounting method/mounting screws

Description	Size	Max. wall thickness	Type	ec_Article number
Philips head screw	M2 x 8	1,5mm	APHSN2x8	EC02.3000090.001
Self tapping screw	2,2 x 4,5	1,5mm	ASTS2,2x4,5	EC02.3000090.002
Hexagonal nut	M2	1,5mm	APHNM2	EC02.3000090.003

Dust caps information :

Plugable dust cap

Material:
PVC

Colors:
SM UPC - yellow (red color is available)
MM - black

Bottom view Scale: 1:2
Section view A-A Scale: 1:2
Front view Scale: 1:2