

Industrial splice box 15SU

Field of Application

euroclust offers a fiber optic splice divider for industrial applications, which can be mounted on a DIN rail. The splicebox can either be ordered empty or assembled with adapters and pigtails.

Features

- with integrated splice tray and various splice protection holders either for fusion splice protection or crimp splice protection
- for max 24/48 fibers
- adapters and pigtails for all fiber types available (SM/MM)
- mounted adapters or inserted pigtails, ready for splicing
- fiber optic cable entrance through cable glands
- implementation of pre-connectorized FO-cables possible
- robust and stable industrial steel execution
- painted in RAL 7035 light grey, other colors on special request
- customized labeling on demand
- when LCdx adapters are used, they are also available with integrated shutter
- when SCsx or SCdx adapters are used separate pluggable retractable dust caps are available



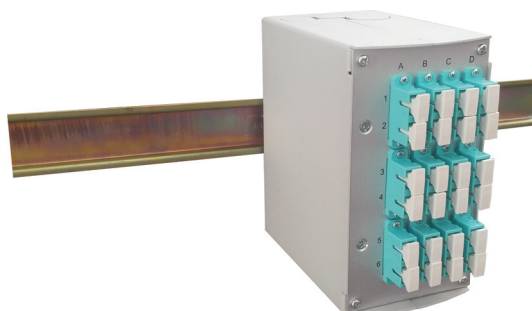
Product description

The inner values of the industrial splice box 15SU are really convincing and the installation is quite simple and done very fast. Box is ready for splicing and it already contains splice tray, couplings, pigtails and cable gland. Regarding different couplings, you can choose from SC and LC. The front plate and the splice cassette can be removed for splicing. The cassette has got a hole for splice units with a bolt. Furthermore, industrial splice box L has got a clip for DIN rail mounting (35mm) and a kit for wall fastening. Thus, there are space-saving and flexible solutions for mounting our box. Customizing is possible by different assemblies, colors of the housing or logos. Possibility to install 4xPG13,5 or M20 and also 2xPG16 or M25.

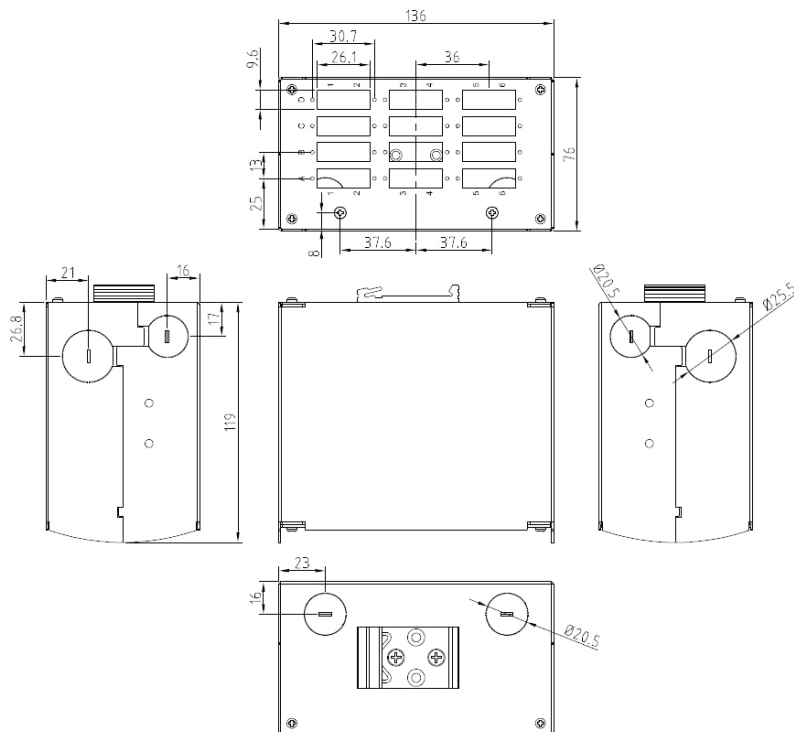
Technical specifications

Color	RAL 7035
Operating temperature	-40°C to +70°C
Dimension	119mm x 76mm x 136mm (HxWxD)
Weight (empty box)	655g
Weight (assembled box)	748g (for 12xSXdx with flange)
Housing	Stainless steel, powder coated

DIN rail mounting possibility:



Drawing:

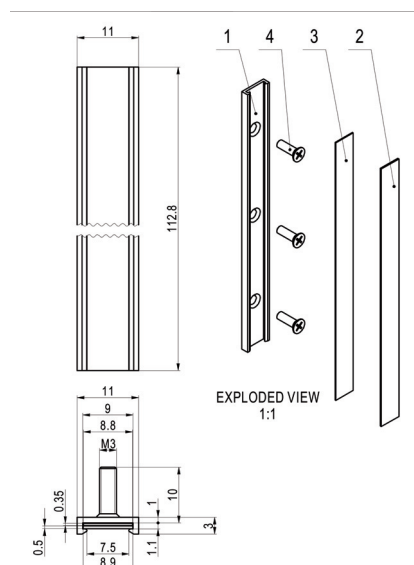


Packing information

Packing in carton box (DxWxH) 160x165x80mm.

Labeling:

Designation paper holder allows port numbering for our industrial splice box 15SU.



Ordering information

Description

Designation paper holder

ec-Article Nr.:

EC03.202010.000-0069

Industrial splice box 15SU

Ordering information

Industrial splice box 15SU

Description	ec-Article Nr.:
Empty box	EC03.101010.600
Singlemode	
SC termination	
With shrink splice holder, box with 12xSCdx adapters, SM UPC, Grade B	EC03.101010.603
With shrink splice holder, box with 12xSCdx adapters and 24 SCsx pigtails, SM UPC, Grade B	EC03.101010.604
With crimp splice holder, box with 12xSCdx adapters, SM UPC, Grade B	EC03.101010.605
With crimp splice holder, box with 12xSCdx adapters and 24 SCsx pigtails, SM UPC, Grade B	EC03.101010.606
With shrink splice holder, box with 12xSCdx adapters, SM APC, Grade B	EC03.101010.607
With shrink splice holder, box with 12xSCdx adapters and 24 SCsx pigtails, SM APC, Grade B	EC03.101010.608
With crimp splice holder, box with 12xSCdx adapters, SM APC, Grade B	EC03.101010.609
With crimp splice holder, box with 12xSCdx adapters and 24 SCsx pigtails, SM APC, Grade B	EC03.101010.610
LC termination	
With shrink splice holder, box with 12xLCquad adapters, SM UPC, Grade B	EC03.101010.611
With shrink splice holder, box with 12xLCquad adapters and 48 LCsx pigtails, SM UPC, Grade B	EC03.101010.612
With crimp splice holder, box with 12xLCquad adapters, SM UPC, Grade B	EC03.101010.613
With crimp splice holder, box with 12xLCquad adapters and 48 LCsx pigtails, SM UPC, Grade B	EC03.101010.614
With shrink splice holder, box with 12xLCquad adapters, SM APC, Grade B	EC03.101010.615
With shrink splice holder, box with 12xLCquad adapters and 48 LCsx pigtails, SM APC, Grade B	EC03.101010.616
With crimp splice holder, box with 12xLCquad adapters, SM APC, Grade B	EC03.101010.617
With crimp splice holder, box with 12xLCquad adapters and 48 LCsx pigtails, SM APC, Grade B	EC03.101010.618
Multimode	
SC termination	
With shrink splice holder, box with 12xSCdx adapters, MM OM1, Grade C	EC03.101010.619
With shrink splice holder, box with 12xSCdx adapters and 24 SCsx pigtails, MM OM1, Grade C	EC03.101010.620
With crimp splice holder, box with 12xSCdx adapters, MM OM1, Grade C	EC03.101010.621
With crimp splice holder, box with 12xSCdx adapters and 24 SCsx pigtails, MM OM1, Grade C	EC03.101010.622
With shrink splice holder, box with 12xSCdx adapters, MM OM2, Grade C	EC03.101010.623
With shrink splice holder, box with 12xSCdx adapters and 24 SCsx pigtails, MM OM2, Grade C	EC03.101010.624
With crimp splice holder, box with 12xSCdx adapters, MM OM2, Grade C	EC03.101010.625
With crimp splice holder, box with 12xSCdx adapters and 24 SCsx pigtails, MM OM2, Grade C	EC03.101010.626
With shrink splice holder, box with 12xSCdx adapters, MM OM3, Grade B	EC03.101010.627
With shrink splice holder, box with 12xSCdx adapters and 24 SCsx pigtails, MM OM3, Grade B	EC03.101010.628
With crimp splice holder, box with 12xSCdx adapters, MM OM3, Grade B	EC03.101010.629
With crimp splice holder, box with 12xSCdx adapters and 24 SCsx pigtails, MM OM3, Grade B	EC03.101010.630
With shrink splice holder, box with 12xSCdx adapters, MM OM4, Grade B	EC03.101010.631
With shrink splice holder, box with 12xSCdx adapters and 24 SCsx pigtails, MM OM4, Grade B	EC03.101010.632
With crimp splice holder, box with 12xSCdx adapters, MM OM4, Grade B	EC03.101010.633
With crimp splice holder, box with 12xSCdx adapters and 24 SCsx pigtails, MM OM4, Grade B	EC03.101010.634

Ordering information

Industrial splice box 15SU

Description	ec-Article Nr.:
Multimode	
LC termination	
With shrink splice holder, box with 12xLC quad adapters, MM OM1, Grade C	EC03.101010.635
With shrink splice holder, box with 12xLC quad adapters and 48 LCsx pigtails, MM OM1, Grade C	EC03.101010.636
With crimp splice holder, box with 12xLC quad adapters, MM OM1, Grade C	EC03.101010.637
With crimp splice holder, box with 12xLC quad adapters and 48 LCsx pigtails, MM OM1, Grade C	EC03.101010.638
<hr/>	
With shrink splice holder, box with 12xLC quad adapters, MM OM2, Grade C	EC03.101010.639
With shrink splice holder, box with 12xLC quad adapters and 48 LCsx pigtails, MM OM2, Grade C	EC03.101010.640
With crimp splice holder, box with 12xLC quad adapters, MM OM2, Grade C	EC03.101010.641
With crimp splice holder, box with 12xLC quad adapters and 48 LCsx pigtails, MM OM2, Grade C	EC03.101010.642
<hr/>	
With shrink splice holder, box with 12xLCdx adapters, MM OM3, Grade B	EC03.101010.643
With shrink splice holder, box with 12xLCdx adapters and 48 LCsx pigtails, MM OM3, Grade B	EC03.101010.644
With crimp splice holder, box with 12xLCdx adapters, MM OM3, Grade B	EC03.101010.645
With crimp splice holder, box with 12xLCdx adapters and 48 LCsx pigtails, MM OM3, Grade B	EC03.101010.646
<hr/>	
With shrink splice holder, box with 12xLCdx adapters, MM OM4, Grade B	EC03.101010.647
With shrink splice holder, box with 12xLCdx adapters and 48 LCsx pigtails, MM OM4, Grade B	EC03.101010.648
With crimp splice holder, box with 12xLCdx adapters, MM OM4, Grade B	EC03.101010.649
With crimp splice holder, box with 12xLCdx adapters and 48 LCsx pigtails, MM OM4, Grade B	EC03.101010.650

Note:

Our data sheets are not binding. They are merely a general, informative, and non-binding description and can be changed by us at any time.