

FC Adapter Series

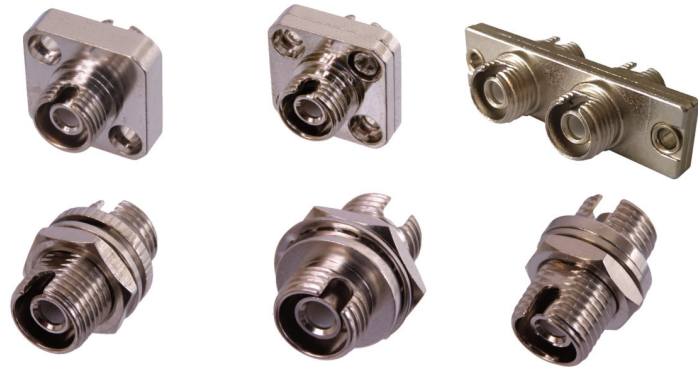
Adapter FC-Type

Field of Application

- CATV
- LAN&WAN
- Network
- Broadband
- FTTx

Features

- Available in square, D and H-shaped and rectangular mount
- Metal body for long life-more than 1000 matings
- Screw-type locking stable and reliable
- D and H shaped easily installs into panel mount
- Compliant with JISC5970 and Bellcore GR-326 standards
- Compliant with IEC61300
- All parts compliant with ROHS



Product description

FC Adapter Series

euroclust offers a full line of fibre optic adapters for every application including flanged threaded, metal, composite and hybrid or plug varieties. Available in simplex, duplex, with ceramic (Zirconia) sleeve for high precision alignment. All kind of adapters meet different demands for fibre optic applications according to international industry standards.

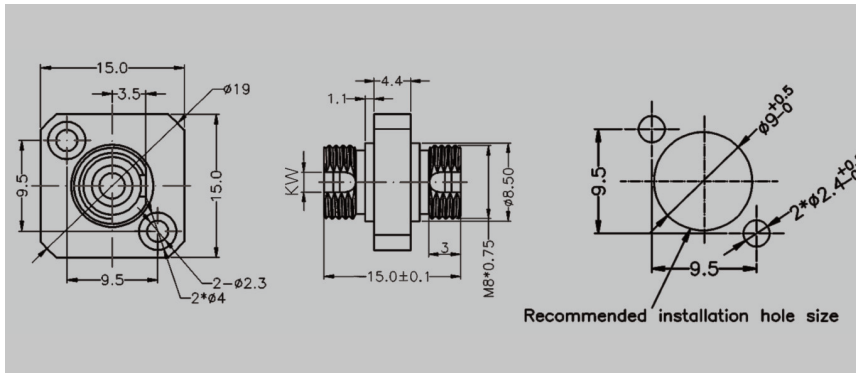
Standard dust cap is plugable for all types (screwable is available). For multimode in white color. For singlemode UPC in yellow color and singlemode APC in green color.

- Key Width of :
- APC adapter type is 2,05mm
 - UPC adapter type is 2,15mm

Technical parameters

	Grade B	Grade C
Sleeve Material	Ceramic	Ceramic
Insertion Loss (IEC 61300-3-4)	0.1dB	0.2dB
Mode type	Singlemode/Multimode	Singlemode/Multimode
Mating durability (IEC 61300-2-2)	500 cycles at not less than 3s between engagement	
Pull Out Force (IEC 61300-2-6)	100N at 10N/s, 60s	
Cold (IEC 61300-2-17)	-40°C (±3°C), 96h	
Dry Heat (IEC 61300-2-18)	+85°C (±3°C), 96h	
Change of temperature (IEC 61300-2-22)	-40°C (±3°C) to +95 (±3°C) 60 min duration at extremes 1°C/min rate of change, 12 cycles	
Damp Heat (IEC 61300-2-19)	40°C (±2°C) 93% RH, 2% to 3% RH, 96h	
Durability (500 Mating)	0,2dB max increase	
Withdrawal Force (g/f)	100/300	
Operating Temperature	-40 to +80°C	

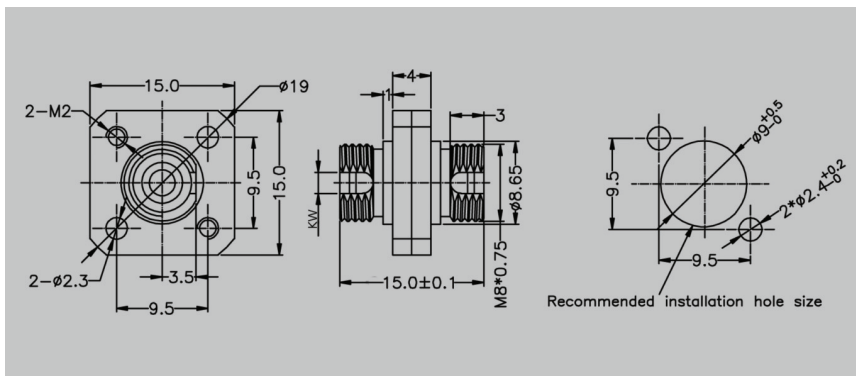
Components & Dimensions



FC Square Solid, metal housing

Description	Net weight (g)	ec-Article Nr.:
FCsx PC Adapter, 2 screws, Solid, Ceramic sleeve, SM, Grade B yellow dust cap	9	EC02.310601.006
FCsx PC Adapter, 2 screws, Solid, Ceramic sleeve, SM, Grade C yellow dust cap	9	EC02.310101.006
FCsx APC Adapter, 2 screws, Solid, Ceramic sleeve, SM, Grade B, green dust cap	9	EC02.310601.004
FCsx APC Adapter, 2 screws, Solid, Ceramic sleeve, SM, Grade C, green dust cap	9	EC02.310101.004
FCsx PC Adapter, 2 screws, Solid, Ceramic sleeve, MM, Grade C, white dust cap	9	EC02.310401.001

Note: Standard is plugable dust cap. For screwable dust cap, please add „-S” behind ec-Article number.



FC Square two pieces, metal housing

Description	Net weight (g)	ec-Article Nr.:
FCsx PC Adapter, 2 screws, 2 pieces, Ceramic sleeve, SM, Grade B, yellow dust cap	9	EC02.310602.006
FCsx PC Adapter, 2 screws, 2 pieces, Ceramic sleeve, SM, Grade C, yellow dust cap	9	EC02.310102.006
FCsx APC Adapter, 2 screws, 2 pieces, Ceramic sleeve, SM, Grade B, green dust cap	9	EC02.310602.004
FCsx APC Adapter, 2 screws, 2 pieces, Ceramic sleeve, SM, Grade C, green dust cap	9	EC02.310102.004
FCsx PC Adapter, 2 screws, 2 pieces, Ceramic sleeve, MM, Grade C, white dust cap	9	EC02.310402.001

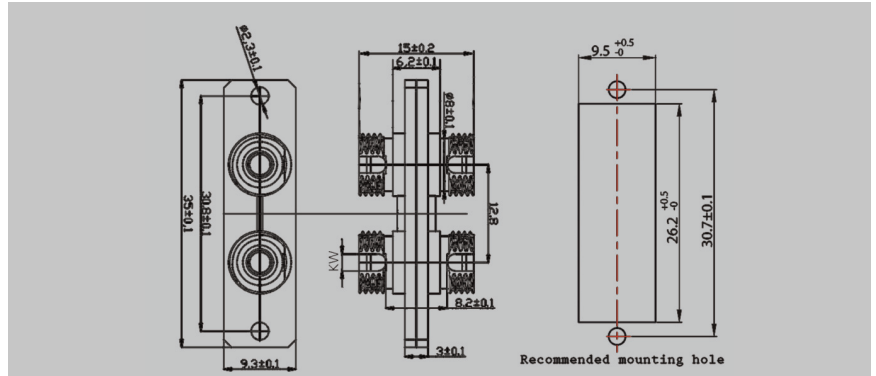
Note: Standard is plugable dust cap. For screwable dust cap, please add „-S” behind ec-Article number.

Bold means preferred type

FC Adapter Series

Adapter FC Type

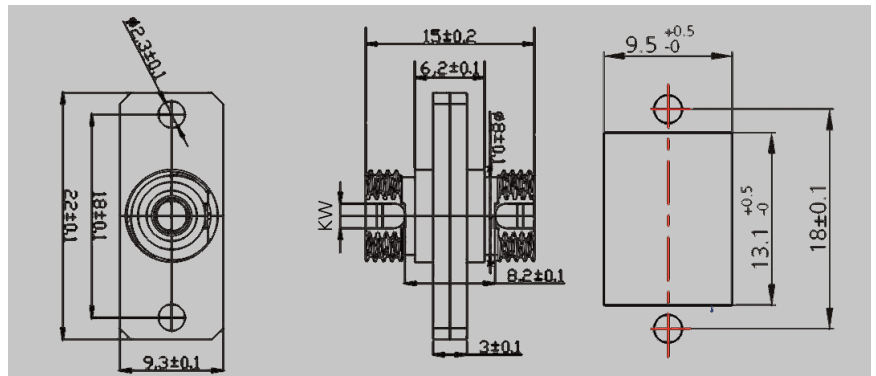
Components & Dimensions



FCdx Adapter rectangular, metal housing

Description	Net weight (g)	ec-Article Nr.:
FCdx PC Adapter, 2 screws, Solid, PhBz sleeve, SM, Grade B, yellow dust cap	10	EC02.510610.006
FCdx PC Adapter, 2 screws, Solid, PhBz sleeve, SM, Grade C, yellow dust cap	10	EC02.510110.006
FCdx APC Adapter, 2 screws, Solid, Ceramic sleeve, SM, Grade B, green dust cap	10	EC02.510610.004
FCdx APC Adapter, 2 screws, Solid, Ceramic sleeve, SM, Grade C, green dust cap	10	EC02.510110.004
FCdx PC Adapter, 2 screws, Solid, Ceramic sleeve, MM, Grade C, white dust cap	10	EC02.510410.001

Note: Standard is plugable dust cap. For screwable dust cap, please add „-S“ behind ec-Article number.



FCsx Adapter rectangular, metal housing

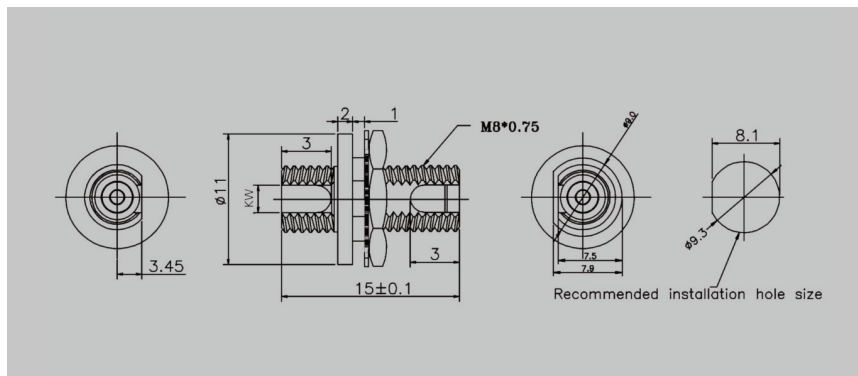
Description	Net weight (g)	ec-Article Nr.:
FCsx PC Adapter, 2 screws, Solid, Ceramic sleeve, SM, Grade B, yellow dust cap	6	EC02.310610.006
FCsx PC Adapter, 2 screws, Solid, Ceramic sleeve, SM, Grade C, yellow dust cap	6	EC02.310110.006
FCsx APC Adapter, 2 screws, Solid, Ceramic sleeve, SM, Grade B, green dust cap	6	EC02.310610.004
FCsx APC Adapter, 2 screws, Solid, Ceramic sleeve, SM, Grade C green dust cap	6	EC02.310110.004
FCsx PC Adapter, 2 screws, Solid, Ceramic sleeve, MM, Grade C, white dust cap	6	EC02.310410.001

Note: Standard is plugable dust cap. For screwable dust cap, please add „-S“ behind ec-Article number.

D-EN-B03-12/18-003

Bold means preferred type

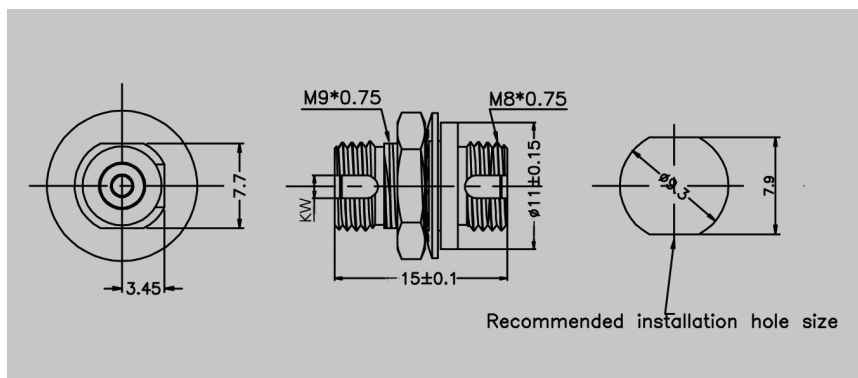
Components & Dimensions



FC Round D1, metal housing

Description	Net weight (g)	ec-Article Nr.:
FCsx PC Adapter, Central screw, Ceramic sleeve, SM, Grade B, yellow dust cap	6	EC02.310603.006
FCsx PC Adapter, Central screw, Ceramic sleeve, SM, Grade C, yellow dust cap	6	EC02.310103.006
FCsx APC Adapter, Central screw, Ceramic sleeve, SM, Grade B, green dust cap	6	EC02.310603.004
FCsx APC Adapter, Central screw, Ceramic sleeve, SM, Grade C, green dust cap	6	EC02.310103.004
FCsx PC Adapter, Central screw, Ceramic sleeve, MM, Grade C, white dust cap	6	EC02.310403.001

Note: Standard is plugable dust cap. For screwable dust cap, please add „-S” behind ec-Article number.



FC Round D3, metal housing

Description	Net weight (g)	ec-Article Nr.:
FCsx PC Adapter, Central screw, Ceramic sleeve, SM, Grade B, yellow dust cap	6	EC02.310605.006
FCsx PC Adapter, Central screw, Ceramic sleeve, SM, Grade C, yellow dust cap	6	EC02.310105.006
FCsx APC Adapter, Central screw, Ceramic sleeve, SM, Grade B, green dust cap	6	EC02.310605.004
FCsx APC Adapter, Central screw, Ceramic sleeve, SM, Grade C, green dust cap	6	EC02.310105.004
FCsx PC Adapter, Central screw, Ceramic sleeve, MM, Grade C, white dust cap	6	EC02.310405.001

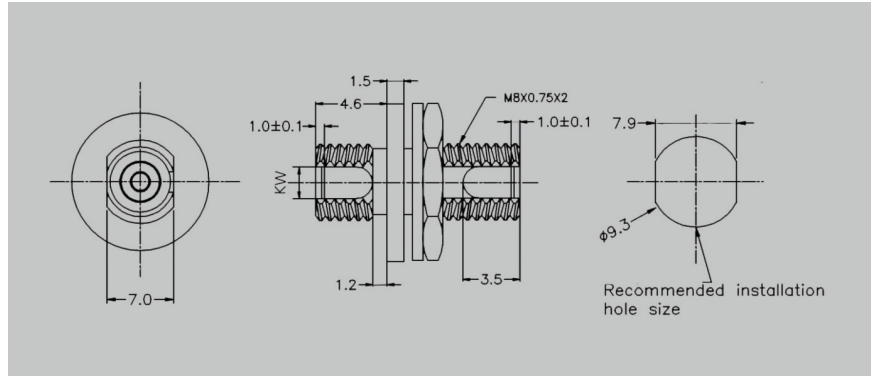
Note: Standard is plugable dust cap. For screwable dust cap, please add „-S” behind ec-Article number.

Bold means preferred type

FC Adapter Series

Adapter FC Type

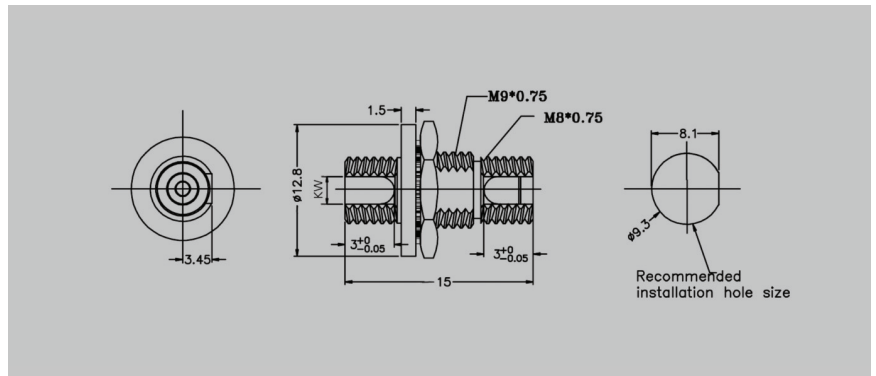
Components & Dimensions



FC Round D4, metal housing

Description	Net weight (g)	ec-Article Nr.:
FCsx PC Adapter, Central screw, Ceramic sleeve, SM, Grade B, yellow dust cap	5,5	EC02.310606.006
FCsx PC Adapter, Central screw, Ceramic sleeve, SM, Grade C, yellow dust cap	5,5	EC02.310106.006
FCsx APC Adapter, Central screw, Ceramic sleeve, SM, Grade B, green dust cap	5,5	EC02.310606.004
FCsx APC Adapter, Central screw, Ceramic sleeve, SM, Grade C, green dust cap	5,5	EC02.310106.004
FCsx PC Adapter, Central screw, Ceramic sleeve, MM, Grade C, white dust cap	5,5	EC02.310406.001

Note: Standard is plugable dust cap. For screwable dust cap, please add „-S“ behind ec-Article number.



FC Round D5, metal housing

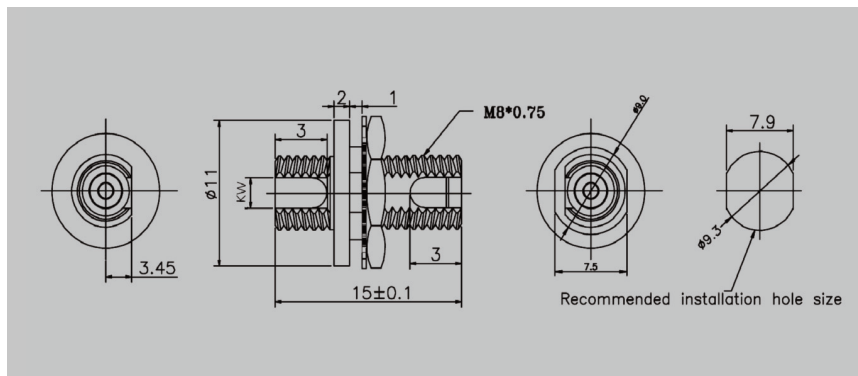
Description	Net weight (g)	ec-Article Nr.:
FCsx PC Adapter, Central screw, Ceramic sleeve, SM, Grade B, yellow dust cap	5	EC02.310607.006
FCsx PC Adapter, Central screw, Ceramic sleeve, SM, Grade C, yellow dust cap	5	EC02.310107.006
FCsx APC Adapter, Central screw, Ceramic sleeve, SM, Grade B, green dust cap	5	EC02.310607.004
FCsx APC Adapter, Central screw, Ceramic sleeve, SM, Grade C, green dust cap	5	EC02.310107.004
FCsx PC Adapter, Central screw, Ceramic sleeve, MM, Grade C, white dust cap	5	EC02.310407.001

Note: Standard is plugable dust cap. For screwable dust cap, please add „-S“ behind ec-Article number.

D-EN-B03-12/18-003

Bold means preferred type

Components & Dimensions



FC Round DD, metal housing

Description	Net weight (g)	ec-Article Nr.:
FCsx PC Adapter,Central screw, Ceramic sleeve, SM, Grade B, yellow dust cap	5	EC02.310670.006
FCsx PC Adapter,Central screw, Ceramic sleeve, SM, Grade C, yellow dust cap	5	EC02.310170.006
FCsx APC Adapter, Central screw, Ceramic sleeve, SM, Grade B, green dust cap	5	EC02.310670.004
FCsx APC Adapter, Central screw, Ceramic sleeve, SM, Grade C, green dust cap	5	EC02.310170.004
FCsx PC Adapter, Central screw, Ceramic sleeve, MM, Grade M, white dust cap	5	EC02.310470.001

Note: Standard is pluggable dust cap. For screwable dust cap, please add „-S” behind ec-Article number.
Bold means preferred type

Packaging

Depending on our customer’s requirements, bulk or blister packaging is available. Standard packing is bulk packing.

Bulk packaging

One bag consists of either:
50 pcs. Duplex Adapters
100 pcs. Simplex Adapters

Blister packaging

The size of each blister layer as well as the amount of adapters per blister layer may differ. Please ask your euroclust sales representative for details.

Screw mounting method/mounting screws

Description	Size	Max. wall thickness	Type	ec_article number
Philips head screw	M2 x 8	1,5mm	APHSN2x8	EC02.3000090.001
Self tapping screw	2,2 x 4,5	1,5mm	ASTS2,2x4,5	EC02.3000090.002
Hexagonal nut	M2	1,5mm	APHNM2	EC02.3000090.003

Dust caps information :

Screwable dust cap	Pluggable dust cap
<p>Front view Scale: 1:10 Section view A-A Scale: 1:10 Top view Scale: 1:10</p>	<p>Bottom view Scale: 1:10 Section view A-A Scale: 1:10 Front view Scale: 1:10</p>
<p>Material: PVC Colors: SM UPC - yellow, SM APC - green, MM - white</p>	<p>Material: PVC Colors: SM UPC - yellow, SM APC - green, MM - white</p>

FC Adapter Series

Adapter FC Type

